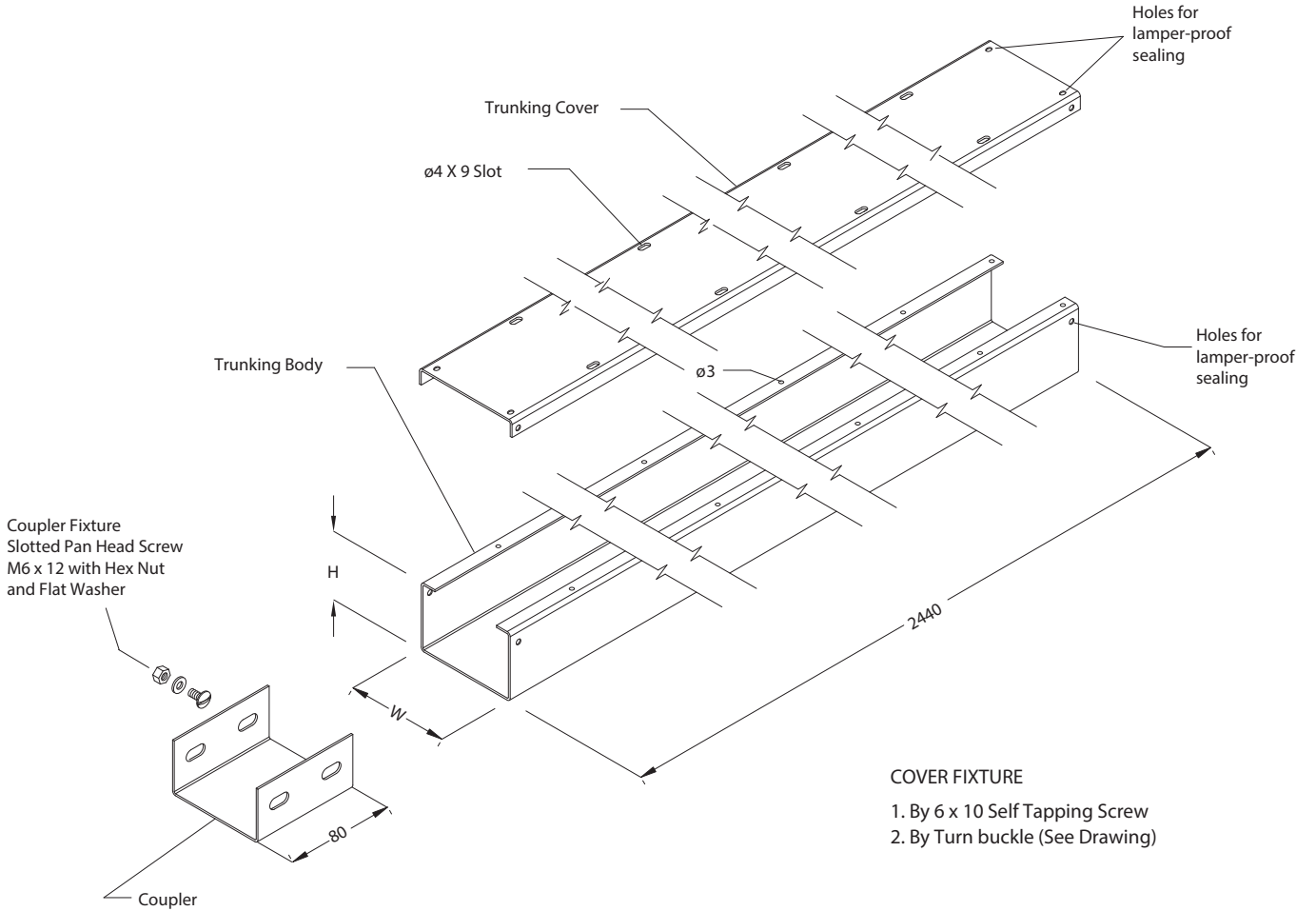


# Steel Surface Cable Trunking-Straight



Type: UL/TG/ST/M

United U-LI Steel Surface Cable Trunking and Accessories are Certified to SS249, MS IEC 61084-1:2006 & IEC 1084-2-1:1996 by TUV-PSB & SIRIM QAS International Sdn Bhd



- COVER FIXTURE**
1. By 6 x 10 Self Tapping Screw
  2. By Turn buckle (See Drawing)

Type 5	Specification	Classification MS	Suitable	Material Coating	Finished
Manufactured to SS249:1981	SS249:1981	Class 1	Indoor	Electro-Galvanised Steel	Epoxy Powder Coated
	SS249:1981	Class 2	Outdoor	Hot Rolled Steel	Hot Dip Galvanised with Epoxy Powder Coating
	MS IEC 61084		High Corrosion Area	Stainless 304, 316 & 316L	None
None	None	N Class 1	Indoor & Dry	Pre-Galvanised Steel	None
None	None	N Class 1	Indoor & Dry	Mild Steel	Epoxy Powder Coated
	MS IEC 61084		indoor & Outdoor	ZAM Material	None
	MS IEC 61084	Hot Dip Galvanised to BS EN ISO 1461:2009	indoor & Outdoor Tunnel	Hot Rolled Steel - High Silicon Steel	Hot Dip Galvanised

# Steel Surface Cable Trunking

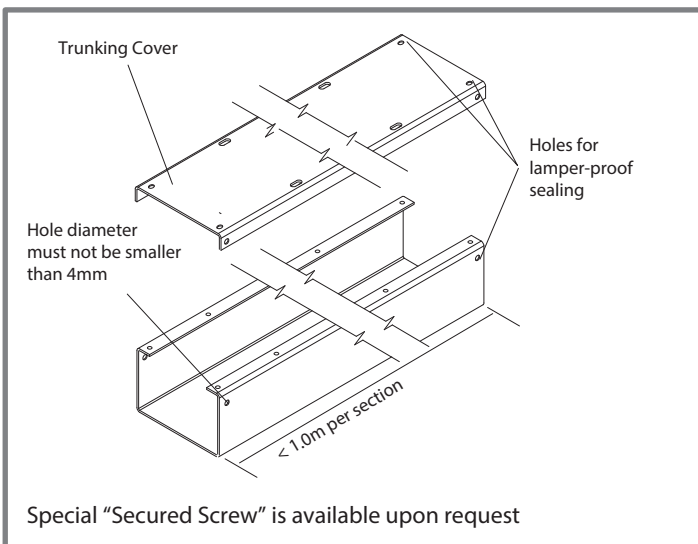
Standard Sizes For Type 5  
MS IEC 61084

Components Ref.	Nominal Size (mm) H (Height) x W (Width) ???	Nominal Thickness of Body Material (mm)	Nominal Thickness of Cover Material (mm)
UL/TG/ST 1-2/M	50 X 25	1.0	1.0
UL/TG/ST 2-2/M	50 X 50	1.0	1.0
UL/TG/ST 2-3/M	75 X 50	1.2	1.2
UL/TG/ST 2-4/M	100 X 50	1.2	1.2
UL/TG/ST 3-4/M	100 X 75	1.2	1.2
UL/TG/ST 4-4/M	100 X 100	1.4	1.2
UL/TG/ST 2-5/M	125 X 50	1.4	1.2
UL/TG/ST 2-6/M	150 x 50	1.4	1.2
UL/TG/ST 3-6/M	150 X 75	1.4	1.2
UL/TG/ST 4-6/M	150 X 100	1.4	1.2
UL/TG/ST 6-6/M	150 X 150	1.4	1.2
UL/TG/ST 2-7/M	175 X 50	1.4	1.2
UL/TG/ST 2-8/M	200 X 50	1.6	1.4
UL/TG/ST 3-8/M	200 X 75	1.6	1.4
UL/TG/ST 4-8/M	200 X 100	1.6	1.4
UL/TG/ST 6-8/M	200 X 150	1.6	1.4
UL/TG/ST 2-9/M	225 X 50	1.6	1.4
UL/TG/ST 2-10/M	250 X 50	1.6	1.4
UL/TG/ST 2-11/M	275 X 50	1.6	1.4
UL/TG/ST 2-12/M	300 X 50	1.6	1.6
UL/TG/ST 3-12/M	300 X 75	1.6	1.6
UL/TG/ST 4-12/M	300 X 100	1.6	1.6
UL/TG/ST 6-12/M	300 X 150	1.6	1.6
UL/TG/ST 12-12/M	300 X 300	1.6	1.6
UL/TG/ST 2-14/M	350 X 50	1.6	1.6
UL/TG/ST 3-15/M	375 X 75	1.6	1.6

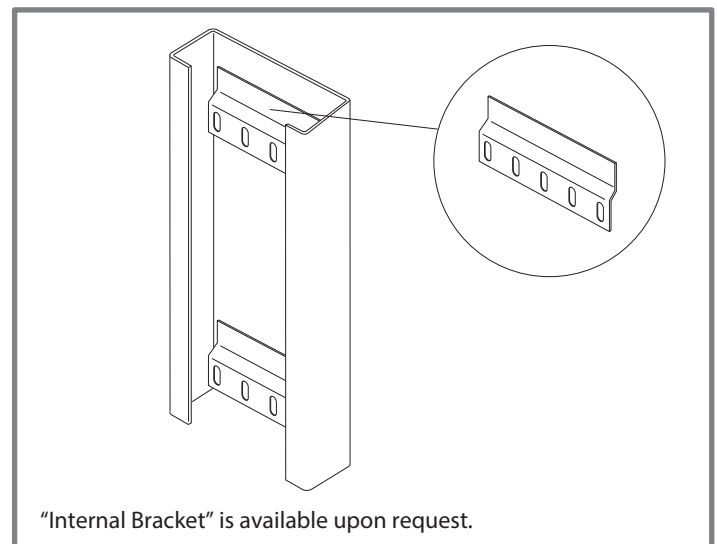
Standard length:- 2.44m & 3.0m

Custom made length:- 4.5m, 6.0m & 8.0m

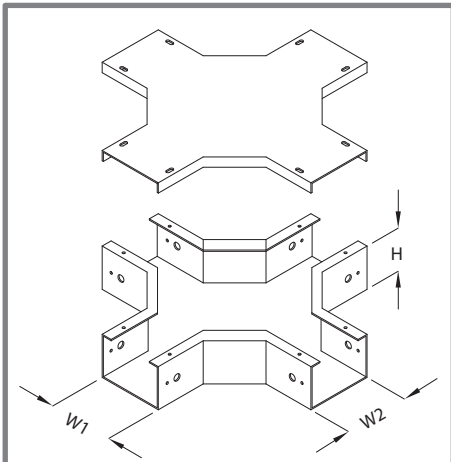
## Secured Trunking



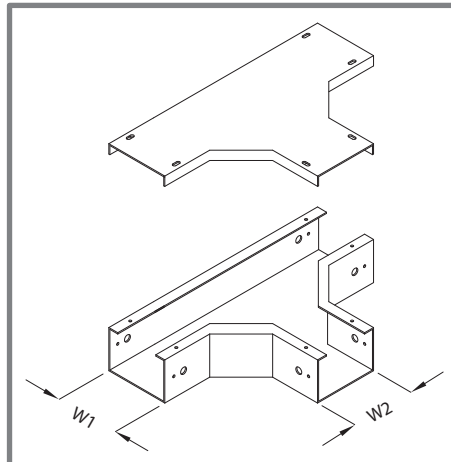
## Vertical Trunking c/w Bracket



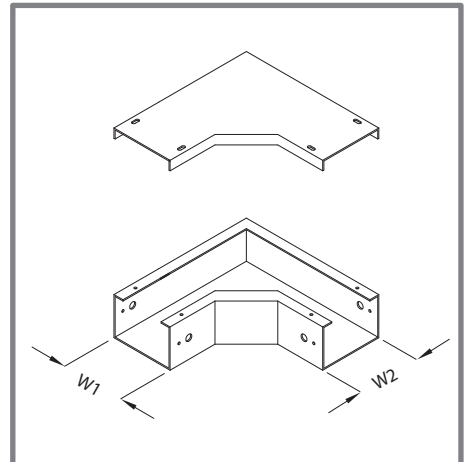
## Cable Steel Trunking - Accessories



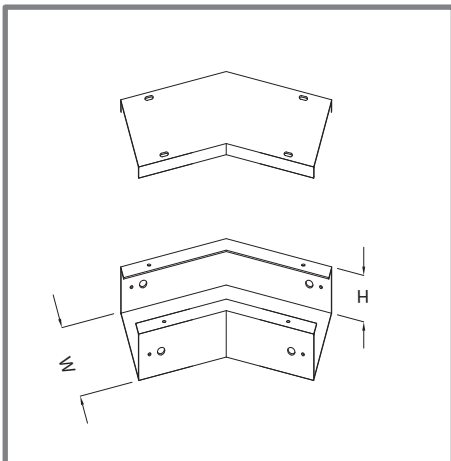
Horizontal Cross with Cover  
Type: UL/TG/A-1/M



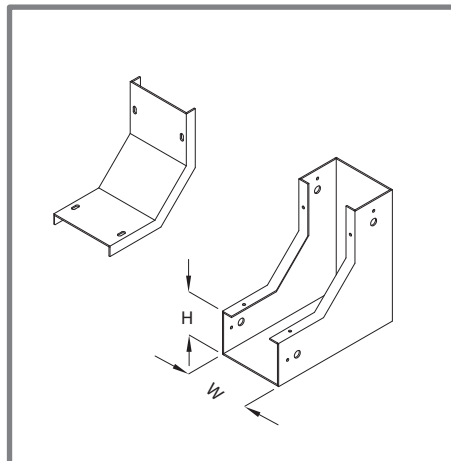
Horizontal Tee with Cover  
Type: UL/TG/A-2/M



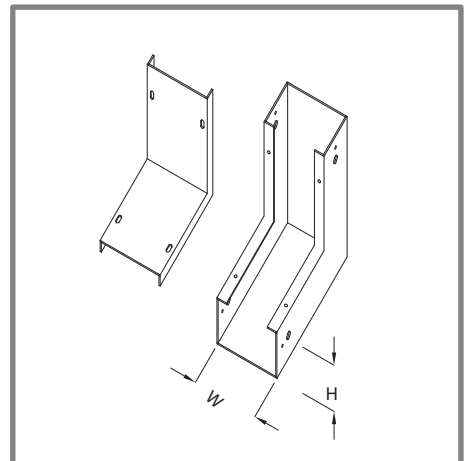
90° Horizontal Elbow with Cover  
Type: UL/TG/A-3/M



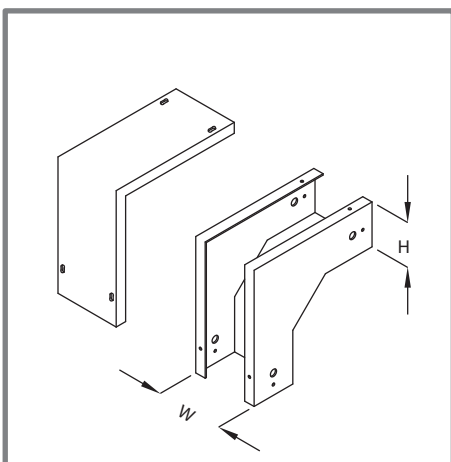
45° Horizontal Elbow with Cover  
Type: UL/TG/A-4/M



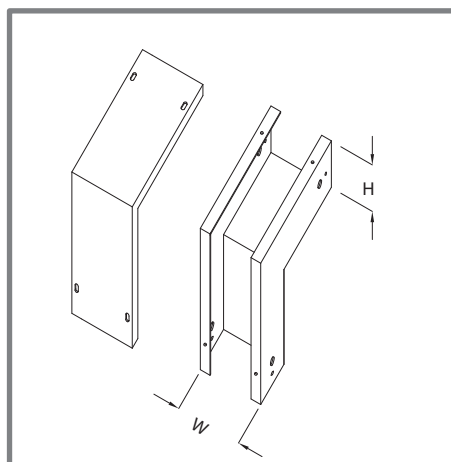
90° Internal Riser with Cover  
Type: UL/TG/A-5/M



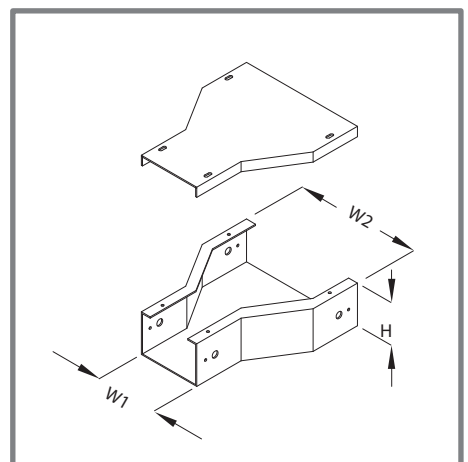
45° Internal Riser with Cover  
Type: UL/TG/A-6/M



90° External Riser with Cover  
Type: UL/TG/A-7/M



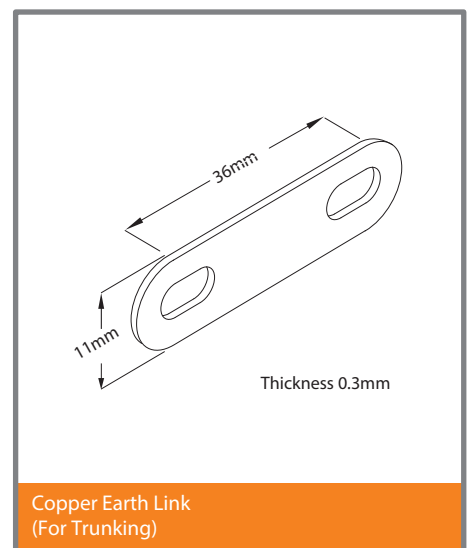
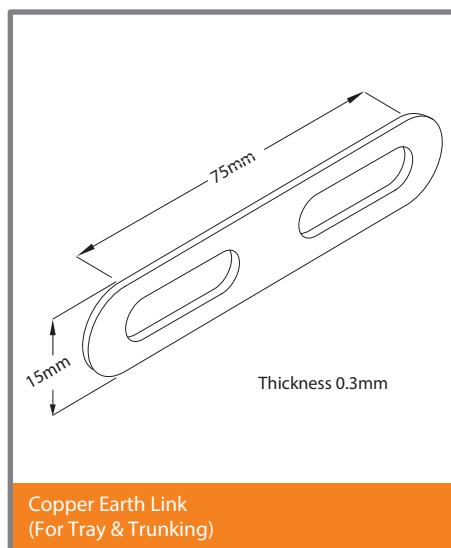
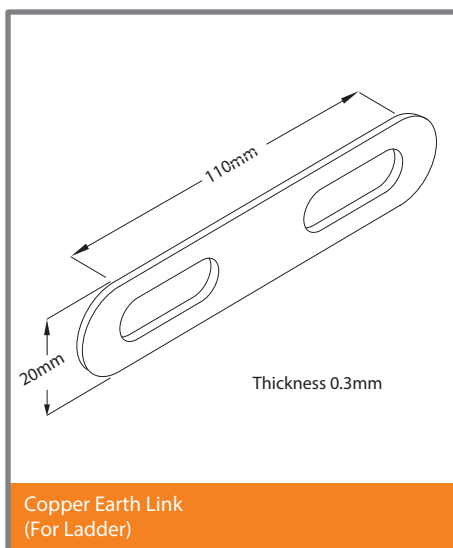
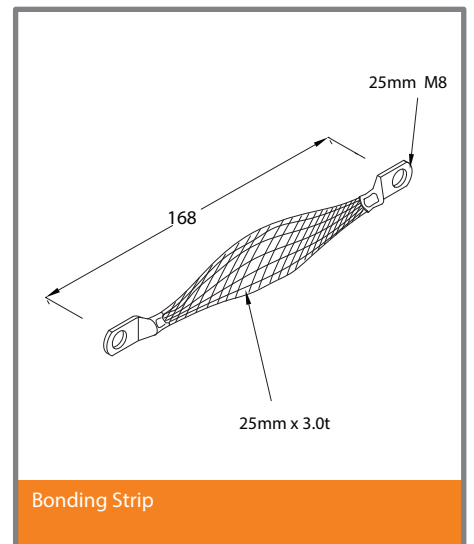
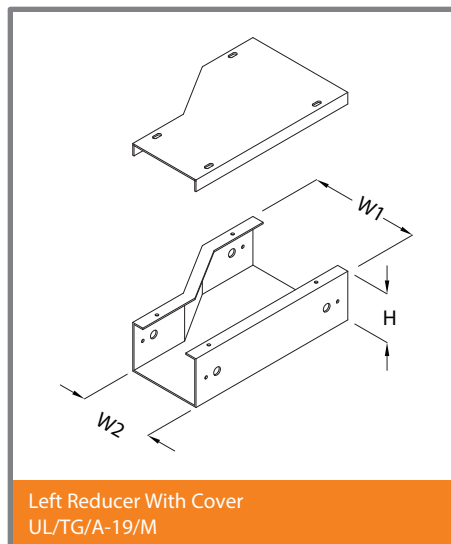
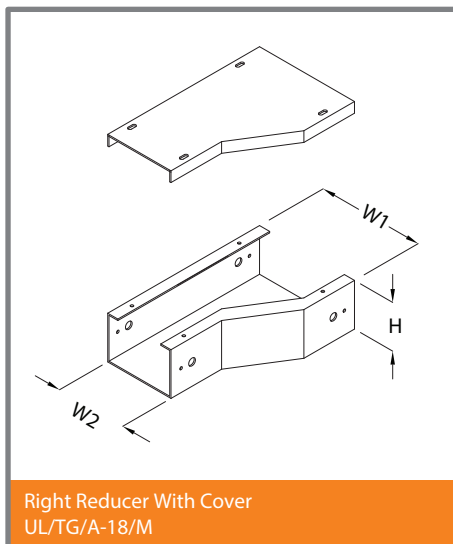
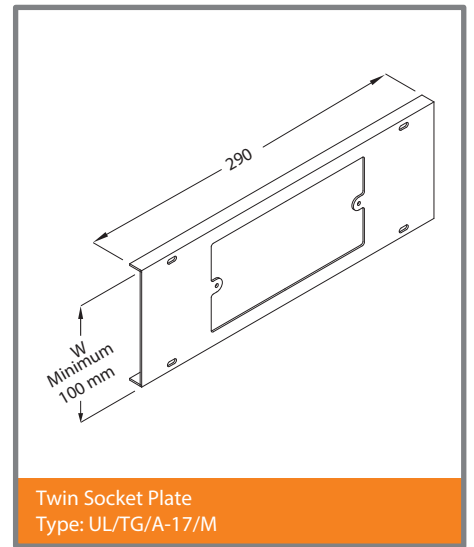
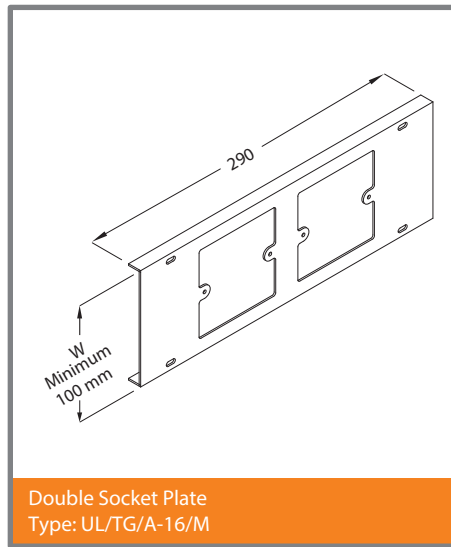
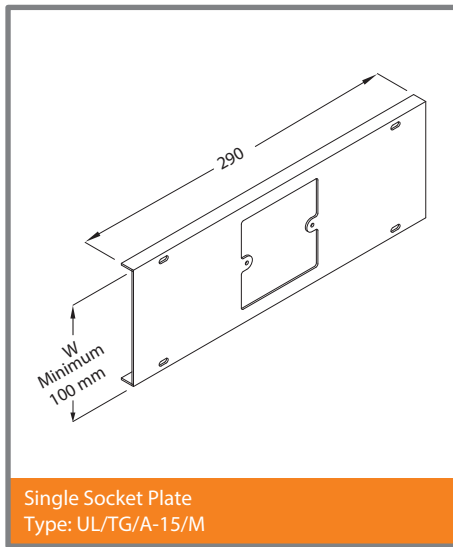
45° External Riser with Cover  
Type: UL/TG/A-8/M



Straight Reducer with Cover  
Type: UL/TG/A-13/M

When ordering please indicate W (width), H (height) and Finish.

## Steel Surface Trunking - Accessories



When ordering please indicate W (width), H (height), A (length) and Finish.