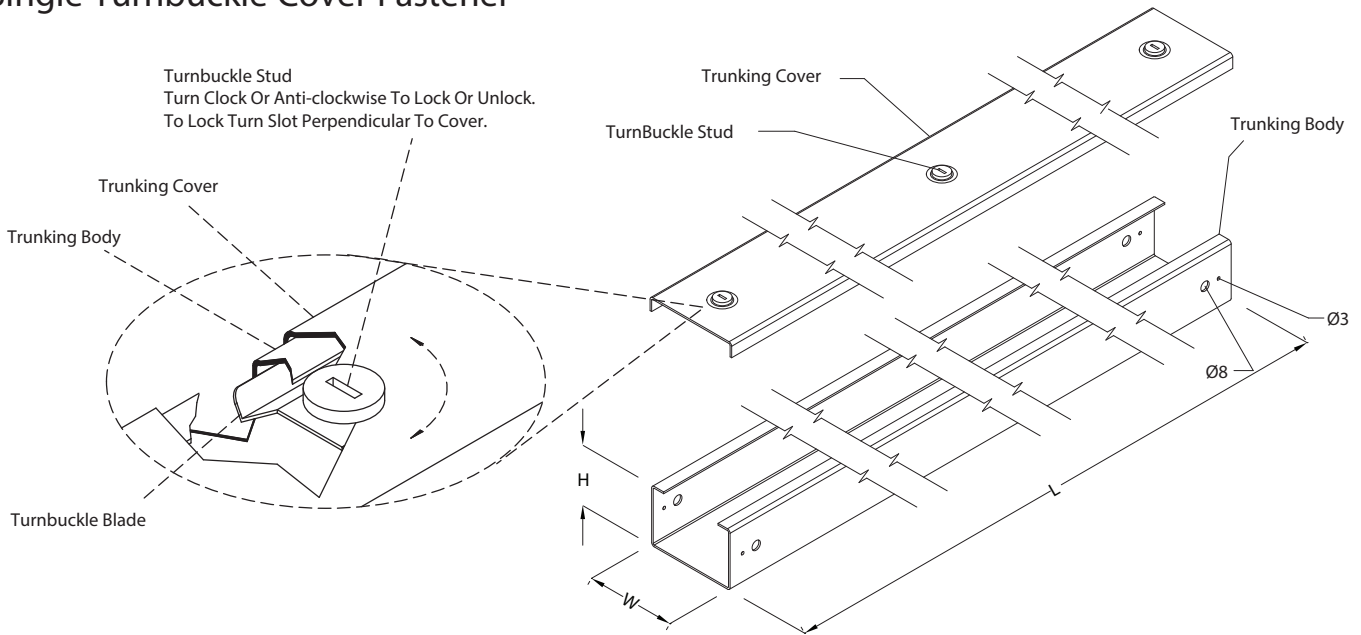


Single Turnbuckle Cover Fastener

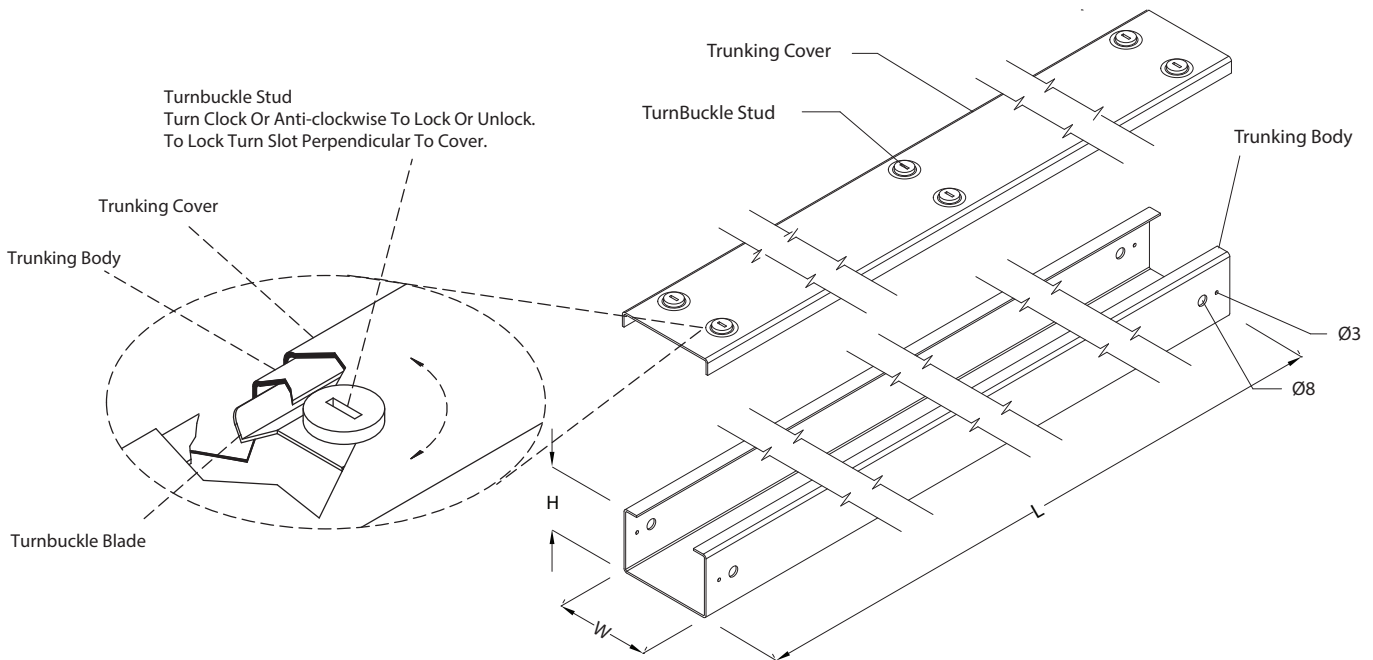


Components Ref.	Trunking Width	Number Of Fastener Per 2.44m Length	Finish
UL/TG/TB3-1/M	50	3 Pcs	Hot Dip Galvanised, Epoxy Powder Coated or Stainless Steel
UL/TG/TB3-2/M	75	3 Pcs	
UL/TG/TB3-3/M	100	3 Pcs	

Dimension in Millimetre

When ordering please indicate Type, Width, Height and Finish.

Double Turnbuckle Cover Fastener



Components Ref.	Trunking Width	Number Of Fastener Per 2.44m Length	Finish
UL/TG/TB6/M	125 to 300	6 Pcs	Hot Dip Galvanised, Epoxy Powder Coated or Stainless Steel

Dimension in Millimetre

When ordering please indicate Type, Width, Height and Finish.