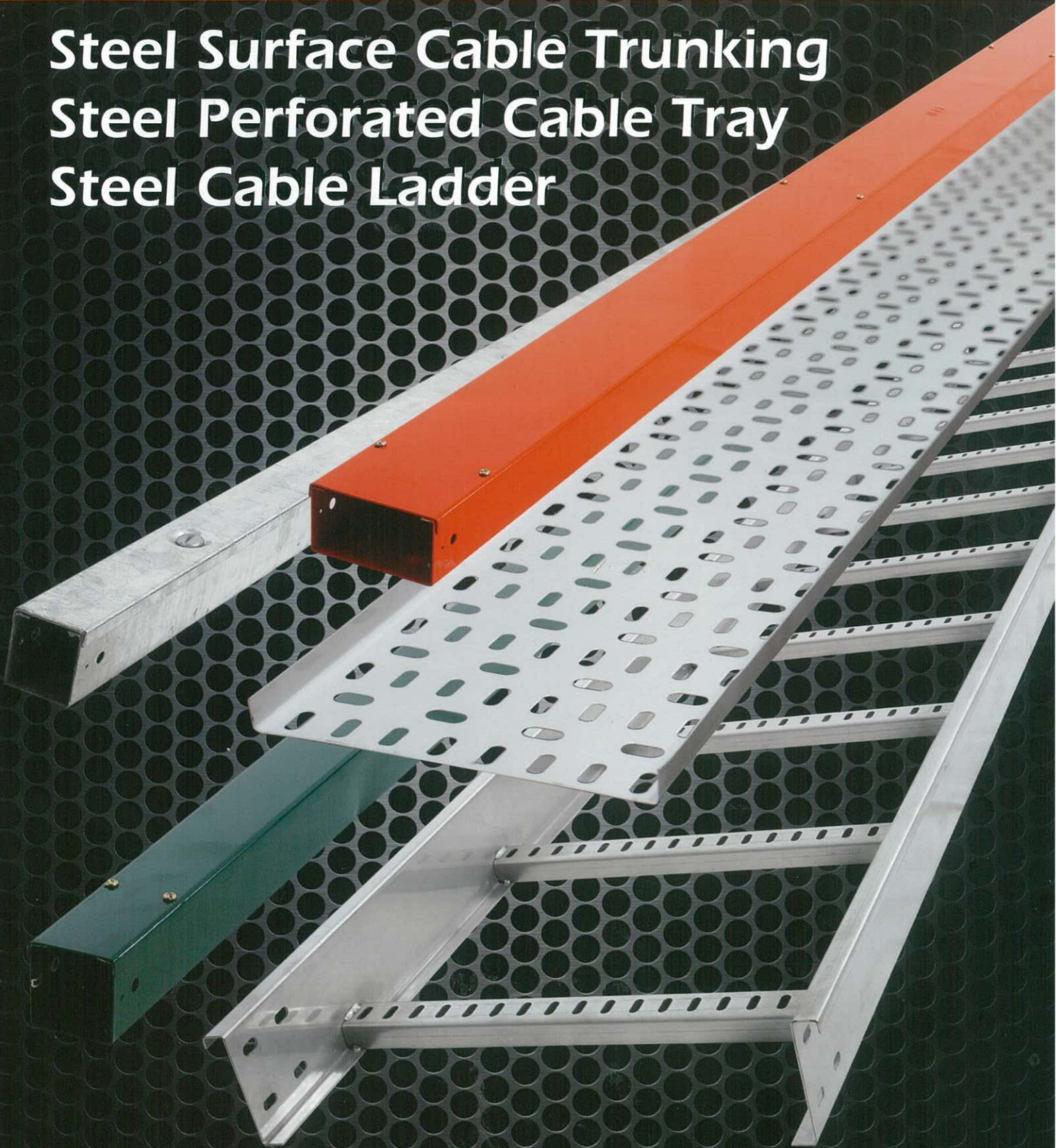


U-LI™

UNITED U-LI PROJECTS PTE LTD.

Steel Surface Cable Trunking
Steel Perforated Cable Tray
Steel Cable Ladder





PSB Singapore

CERTIFICATE OF CONFORMITY

No. CLS2 17 11 85043 003

Initial No. CLS2 15 01 85043 002

Certificate Holder: **United U-Li Projects Pte Ltd**
 1801 Geylang Bahru
 Blk 7B, Kallang Distripark
 Singapore 339709
 SINGAPORE

Product: Steel surface cable trunkings and accessories

Brand Name: U-LI

Model(s):
 1) 50x50
 2) 75x50
 3) 100x50
 4) 100x75
 5) 100x100
 6) 150x100
 7) 200x100
 8) 300x100

Product Details: Type: Electroplated galvanise steel and epoxy powder coated
 Colour: White, Orange, Ivory, Mid grey, Red and White
 Classification: Class 1
 Length: 2000-3000mm
 See CoC Appendix (1 pg)

Standard(s): SS 249:1981/A1:1997

Country of Origin: Malaysia

Test Report(s): 719106538-EEC11/01-SYG,
 719106538-CHM11/02-PGK(EEC)

Issued on: 2017-11-28

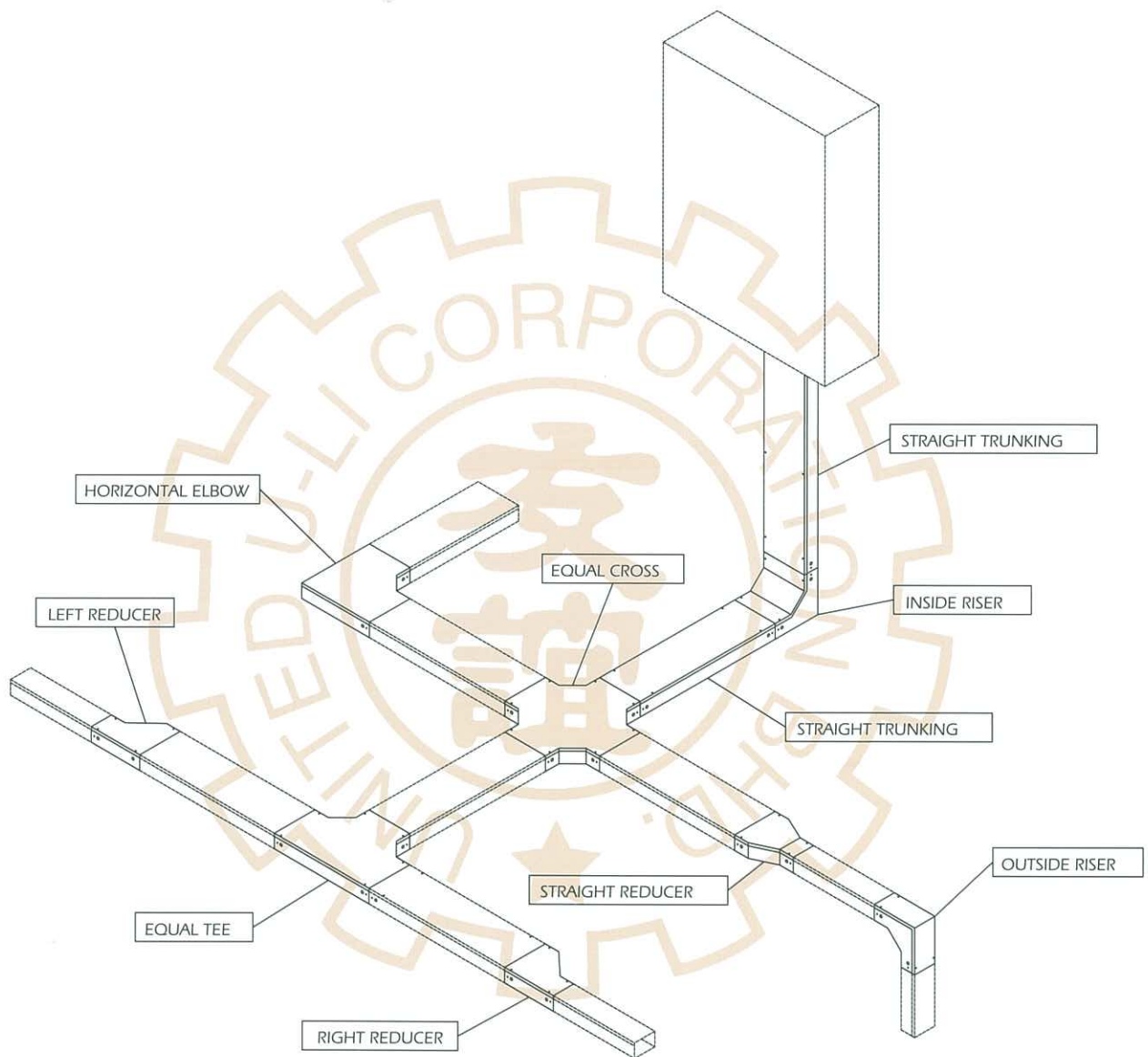
Vice-President (Certification Department)
 TÜV SÜD PSB

Valid until: 2023-01-13

Page 1 of 2

This Certificate is part of a full report and should be read in conjunction with it. This Certificate remains the property of TÜV SÜD PSB Pte Ltd and shall be returned upon request. The use of this Certificate is subjected to TÜV SÜD Group Testing and Certification Regulations; TÜV SÜD PSB Pte Ltd (PSB) General Terms and Conditions of Business and PSB Product Listing Scheme (PLS) Application Fact Sheet. The manufacturer is solely responsible for compliance of any product that has the same designation as the product type-tested. Persons relying on this Certificate should verify its validity by checking TÜV SÜD PSB's website at www.tuv-sud-psb.sg

U-LI™ range of Steel Surface Cable Trunking, Cable Ducting and Accessories

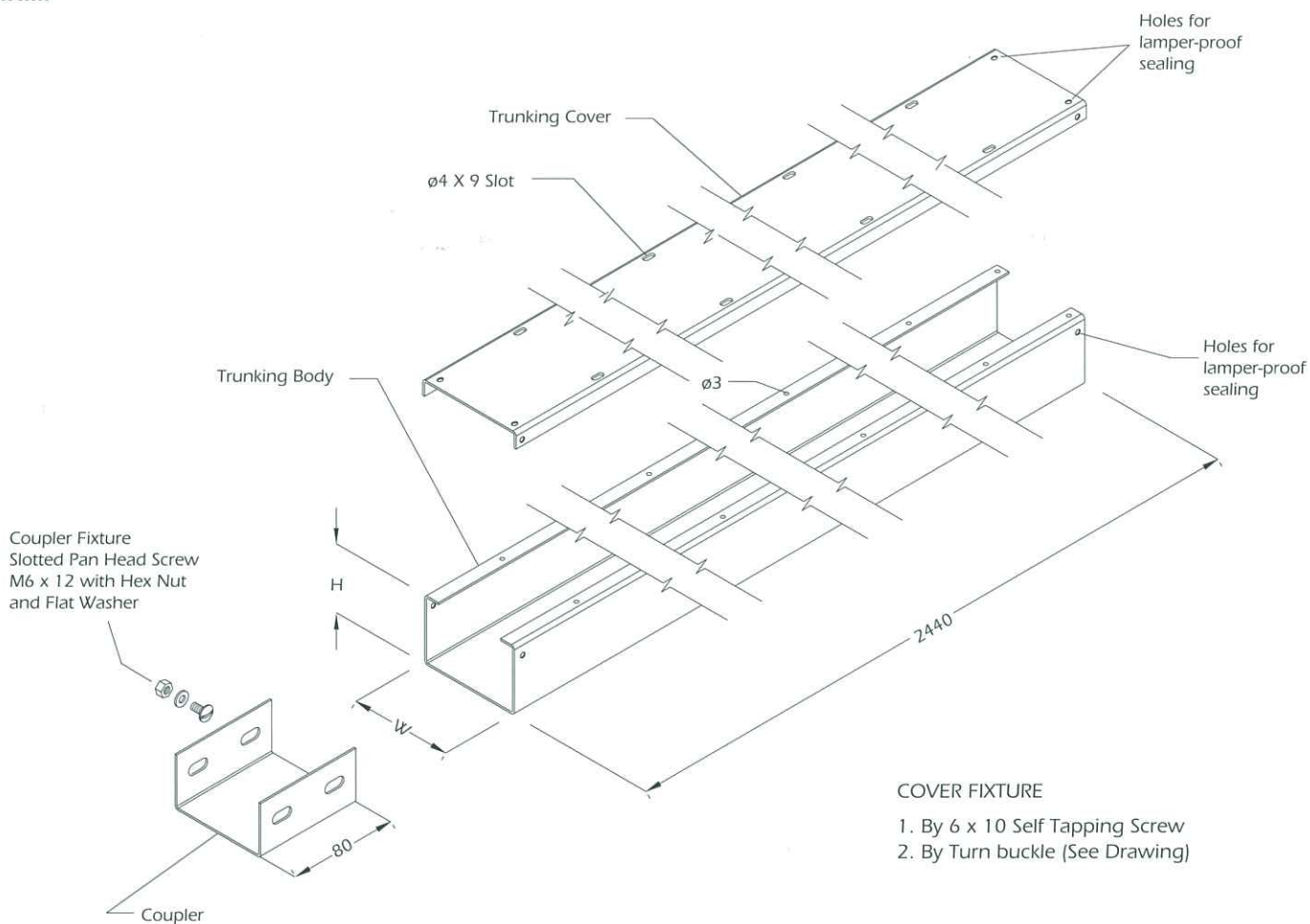


Steel Surface Cable Trunking-Straight



Type: UL/TG/ST/M

United U-LI Steel Surface Cable Trunking and Accessories are Certified to SS249, MS IEC 61084-1:2006 & IEC 1084-2-1:1996 by TUV-PSB & SIRIM QAS International Sdn Bhd



Type 5	Specification	Classification MS	Suitable	Material Coating	Finished
Manufactured to SS249:1981	SS249:1981	Class 1	Indoor	Electro-Galvanised Steel	Epoxy Powder Coated
	SS249:1981	Class 2	Outdoor	Hot Rolled Steel	Hot Dip Galvanised with Epoxy Powder Coating
	MS IEC 61084		High Corrossion Area	Stainless 304, 316 & 316L	None
None	None	N Class 1	Indoor & Dry	Pre-Galvanised Steel	None
None	None	N Class 1	Indoor & Dry	Mild Steel	Epoxy Powder Coated
	MS IEC 61084		indoor & Outdoor	ZAM Material	None
	MS IEC 61084	Hot Dip Galvanised to BS EN ISO 1461:2009	indoor & Outdoor Tunnel	Hot Rolled Steel - High Silicon Steel	Hot Dip Galvanised

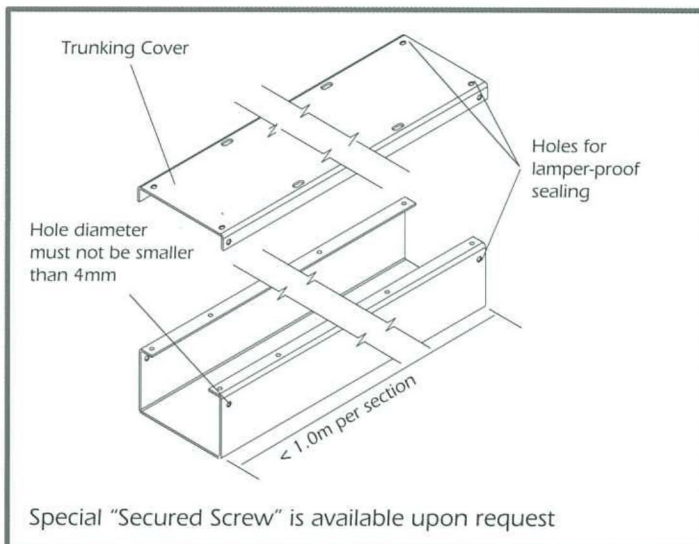
Standard Sizes For Type 5 MS IEC 61084

Components Ref.	Nominal Size (mm) W (Width) x H (Height)???	Nominal Thickness of Body Material (mm)	Nominal Thickness of Cover Material (mm)
UL/TG/ST 1-2/M	50 X 25	1.0	1.0
UL/TG/ST 2-2/M	50 X 50	1.0	1.0
UL/TG/ST 2-3/M	75 X 50	1.2	1.2
UL/TG/ST 2-4/M	100 X 50	1.2	1.2
UL/TG/ST 3-4/M	100 X 75	1.2	1.2
UL/TG/ST 4-4/M	100 X 100	1.4	1.2
UL/TG/ST 2-5/M	125 X 50	1.4	1.2
UL/TG/ST 2-6/M	150 x 50	1.4	1.2
UL/TG/ST 3-6/M	150 X 75	1.4	1.2
UL/TG/ST 4-6/M	150 X 100	1.4	1.2
UL/TG/ST 6-6/M	150 X 150	1.4	1.2
UL/TG/ST 2-7/M	175 X 50	1.4	1.2
UL/TG/ST 2-8/M	200 X 50	1.6	1.4
UL/TG/ST 3-8/M	200 X 75	1.6	1.4
UL/TG/ST 4-8/M	200 X 100	1.6	1.4
UL/TG/ST 6-8/M	200 X150	1.6	1.4
UL/TG/ST 2-9/M	225 X 50	1.6	1.4
UL/TG/ST 2-10/M	250 X 50	1.6	1.4
UL/TG/ST 2-11/M	275 X 50	1.6	1.4
UL/TG/ST 2-12/M	300 X 50	1.6	1.6
UL/TG/ST 3-12/M	300 X 75	1.6	1.6
UL/TG/ST 4-12/M	300 X 100	1.6	1.6
UL/TG/ST 6-12/M	300 X 150	1.6	1.6
UL/TG/ST 12-12/M	300 X 300	1.6	1.6
UL/TG/ST 2-14/M	350 X 50	1.6	1.6
UL/TG/ST 3-15/M	375 X 75	1.6	1.6

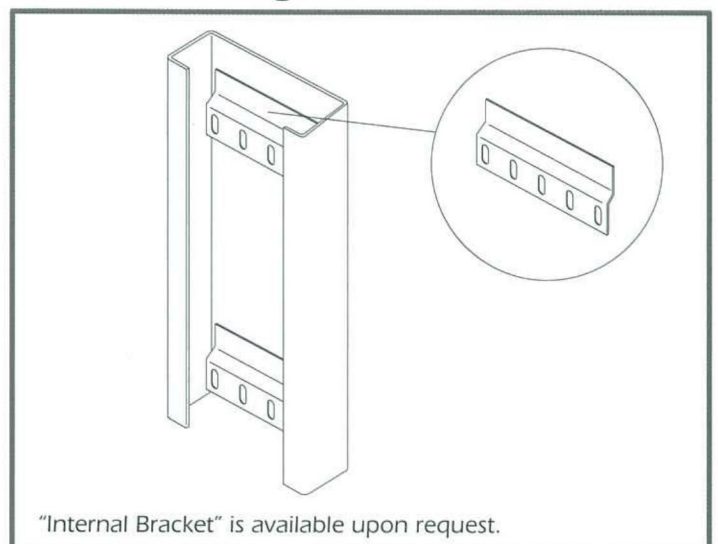
Standard length:- 2.44m & 3.0m

Custom made length:- 4.5m, 6.0m & 8.0m

Secured Trunking

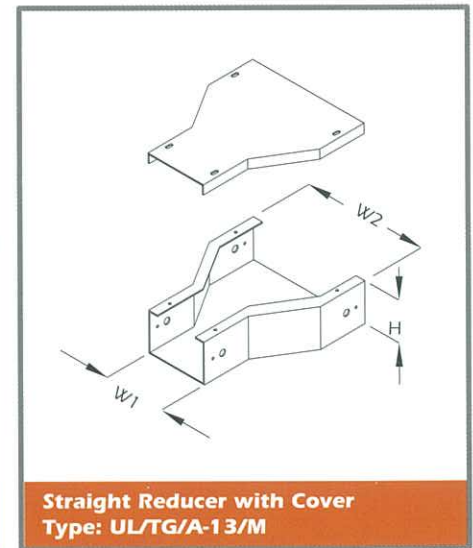
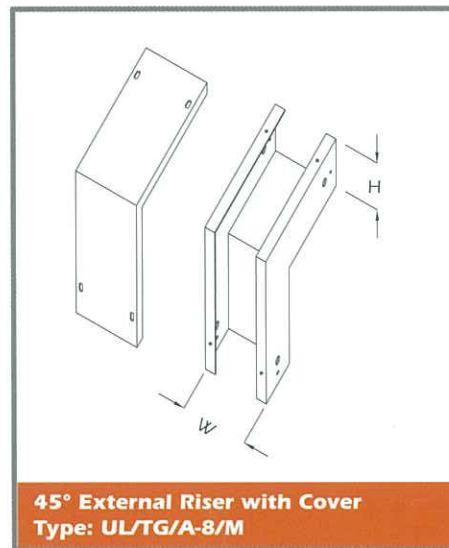
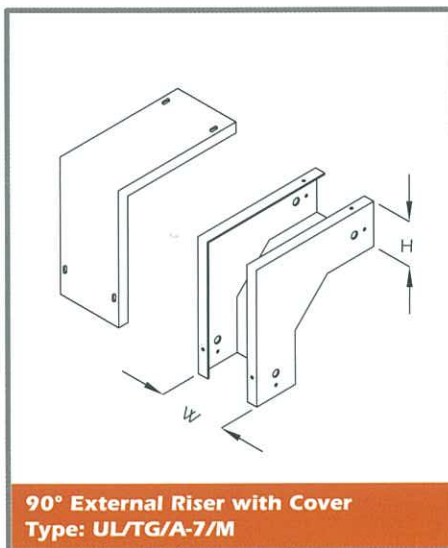
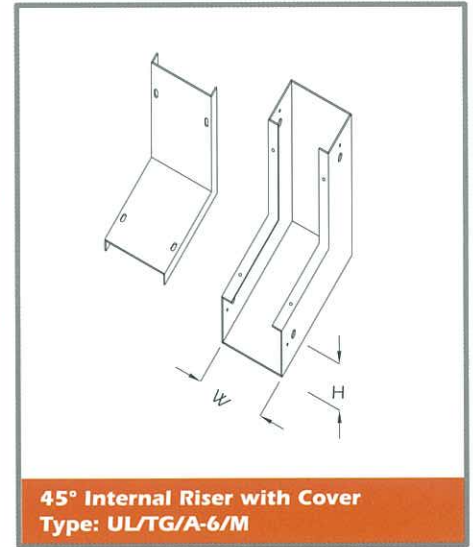
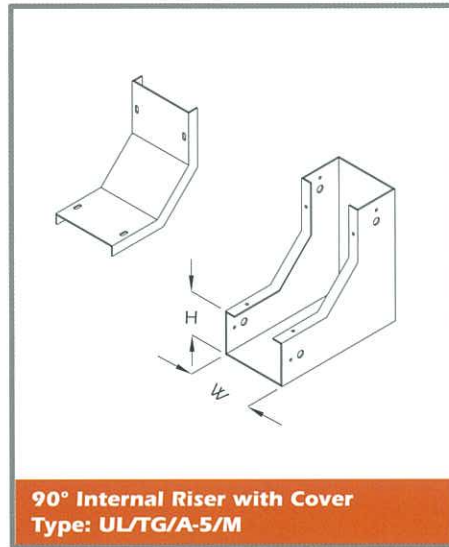
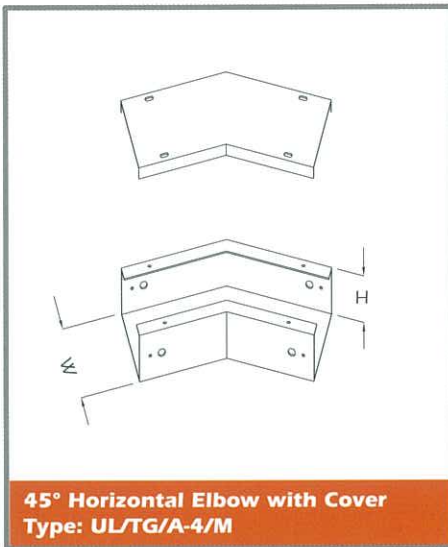
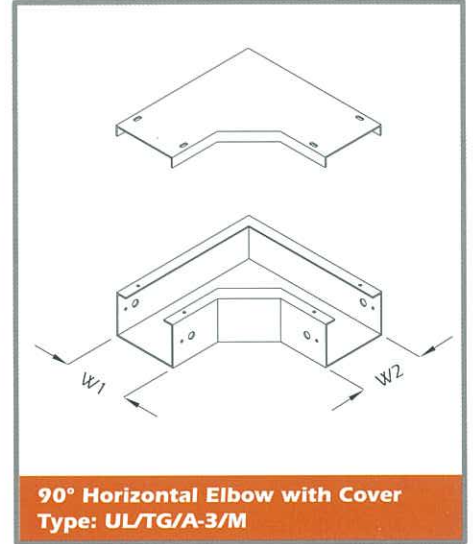
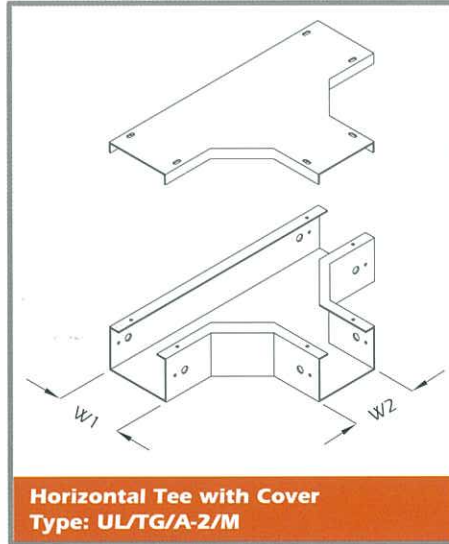
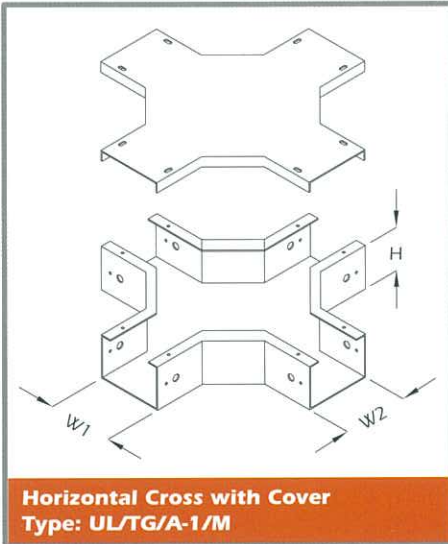


Vertical Trunking c/w Bracket



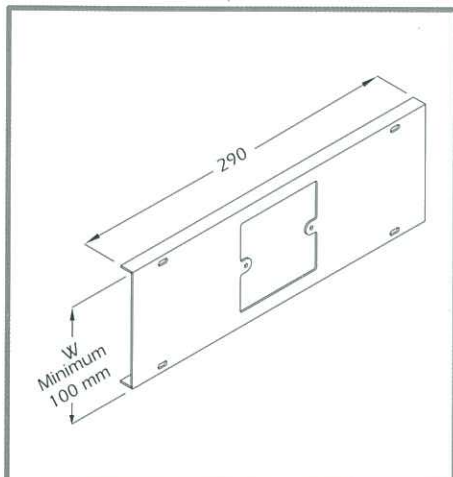
Steel Surface Cable Trunking

Cable Steel Trunking - Accessories

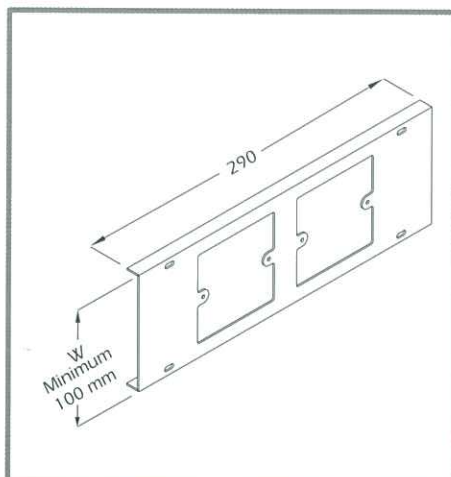


When ordering please indicate W (width), H (height) and Finish.

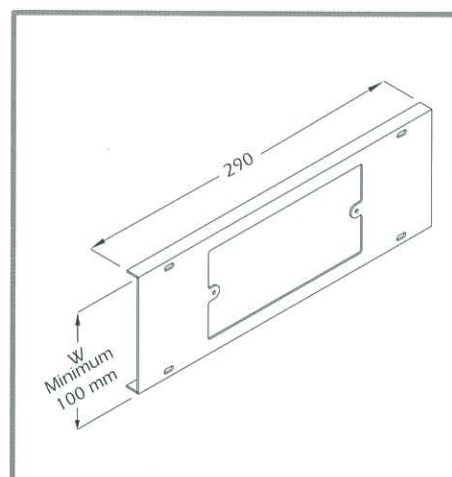
Steel Surface Trunking - Accessories



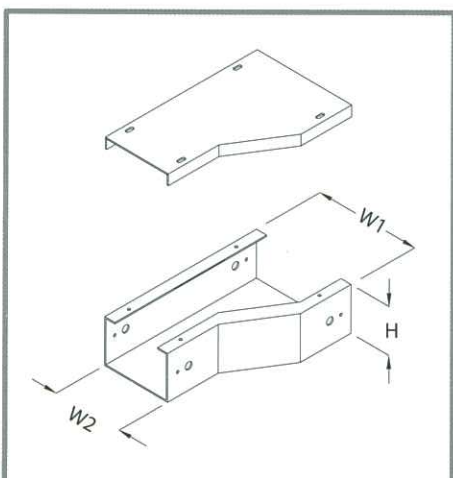
Single Socket Plate
Type: UL/TG/A-15/M



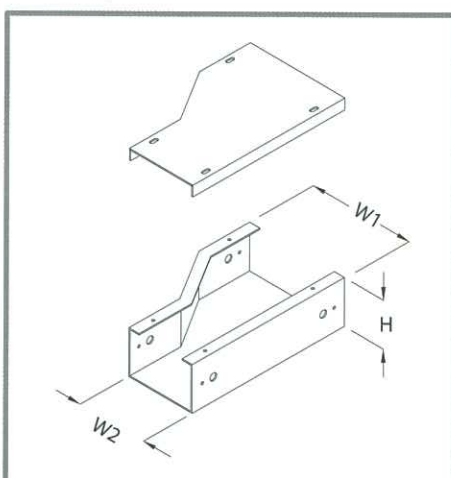
Double Socket Plate
Type: UL/TG/A-16/M



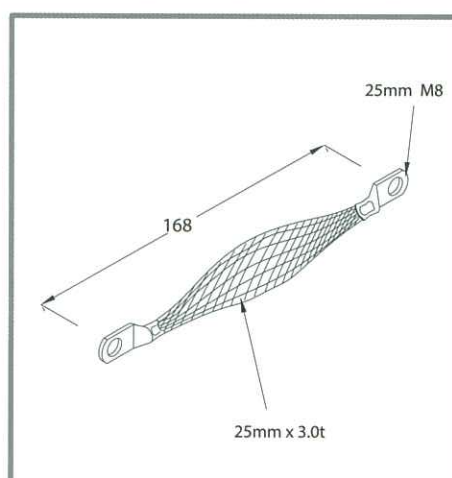
Twin Socket Plate
Type: UL/TG/A-17/M



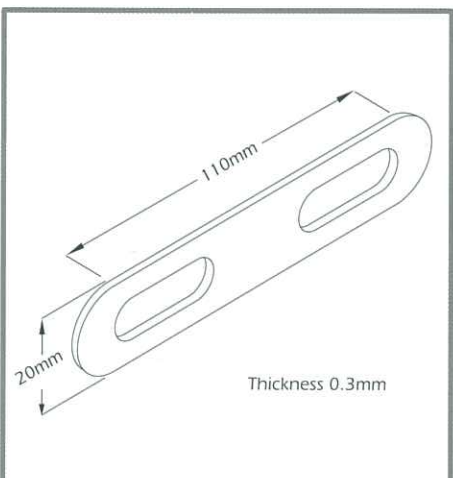
Right Reducer With Cover
UL/TG/A-18/M



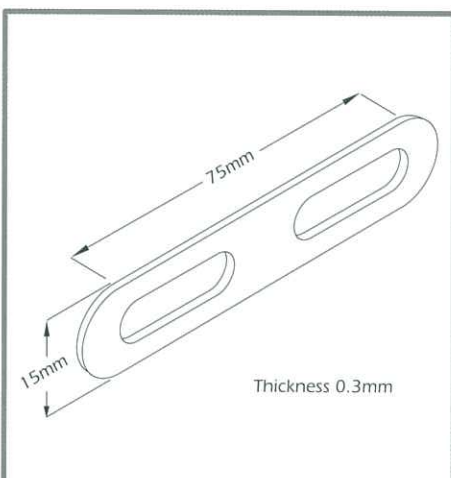
Left Reducer With Cover
UL/TG/A-19/M



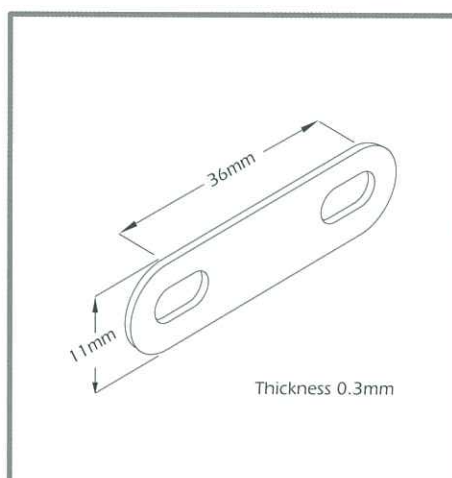
Bonding Strip



Copper Earth Link
(For Ladder)



Copper Earth Link
(For Tray & Trunking)

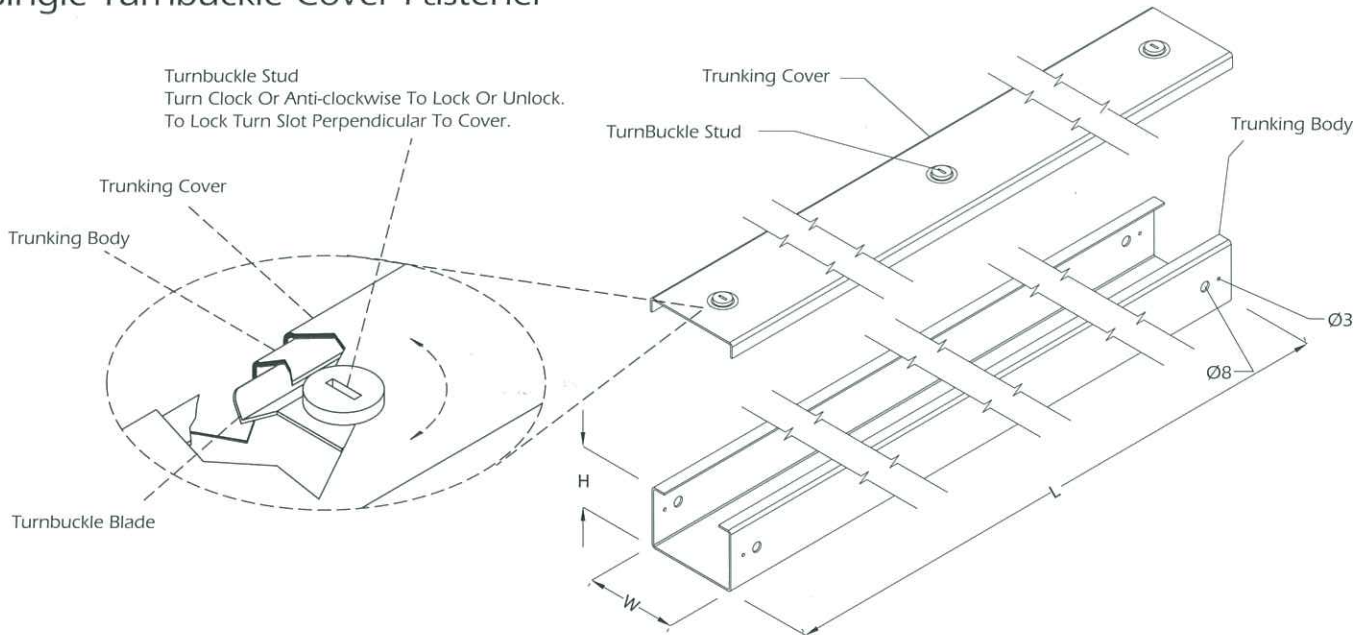


Copper Earth Link
(For Trunking)

When ordering please indicate W (width), H (height), A (length) and Finish.

Steel Surface Cable Trunking

Single Turnbuckle Cover Fastener

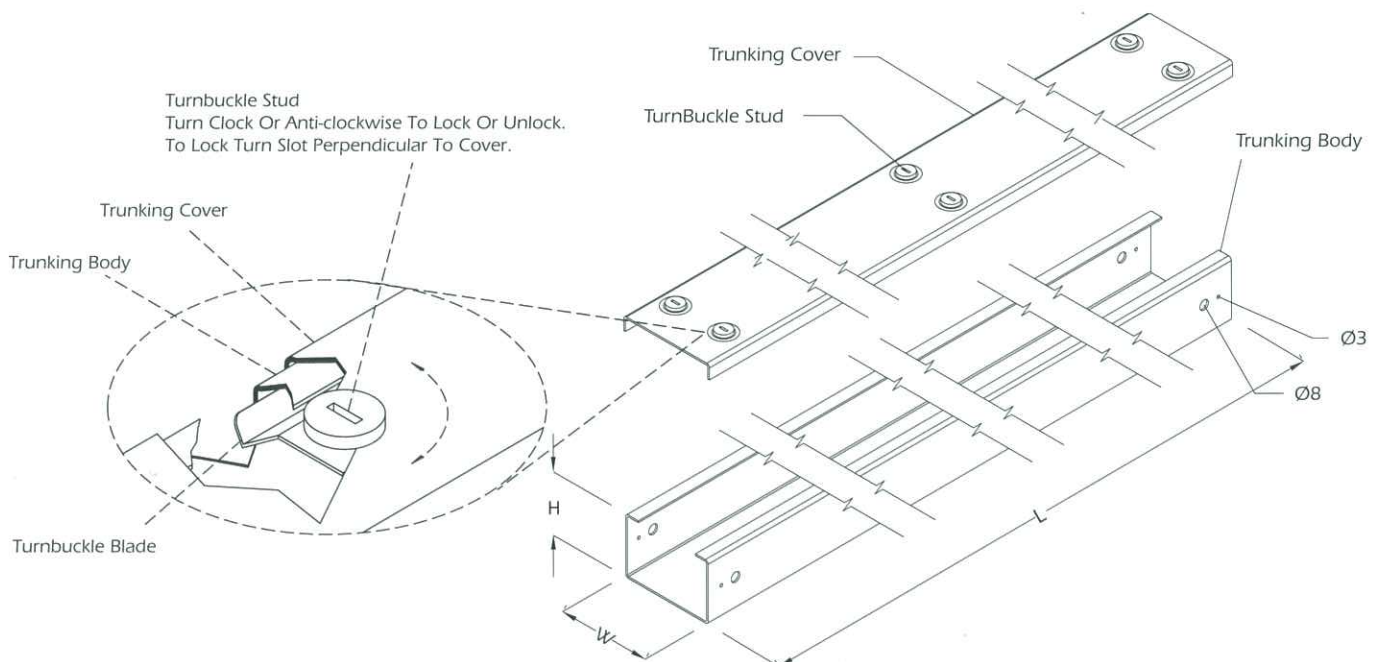


Components Ref.	Trunking Width	Number Of Fastener Per 2.44m Length	Finish
UL/TG/TB3-1/M	50	3 Pcs	Hot Dip Galvanised, Epoxy Powder Coated or Stainless Steel
UL/TG/TB3-2/M	75	3 Pcs	
UL/TG/TB3-3/M	100	3 Pcs	

Dimension in Millimetre

When ordering please indicate Type, Width, Height and Finish.

Double Turnbuckle Cover Fastener



Components Ref.	Trunking Width	Number Of Fastener Per 2.44m Length	Finish
UL/TG/TB6/M	125 to 300	6 Pcs	Hot Dip Galvanised, Epoxy Powder Coated or Stainless Steel

Dimension in Millimetre

When ordering please indicate Type, Width, Height and Finish.



SIRIM QAS International Sdn.Bhd. (Company No.: 410334-X)
No.1, Persiaran Dato' Menteri, P.O.Box 7035, Section 2,
40911 Shah Alam, Selangor Darul Ehsan, Malaysia
Tel. no: 03- 55446382 / 55446380
Fax. no: 03- 55446381

TEST REPORT

REPORT NO.: J20121270156-A (S1)	PAGE : 1 OF 2
This Test Report refers only to samples submitted by the applicant to SIRIM QAS International Sdn. Bhd. and tested by SIRIM QAS International Sdn. Bhd. This test report shall not be reproduced, except in full and shall not be used for advertising purposes by any means or forms without written approval from Managing Director, SIRIM QAS International Sdn. Bhd. Please refer overleaf for Conditions Relating To The Use of Test Report.	

Applicant : **United U-Li Projects Pte. Ltd.**
1801 Geylang Bahru,
Block 7B,
Kallang Distripark,
Singapore.

Manufacturer : **United U-Li (M) Sdn. Bhd.**
No. 33, Jalan Kartunis U1/47,
Temasya Industrial Park, Section U1,
40150 Shah Alam, Selangor

Product : Cable Tray

Type of Test / Method of test : Full test.

Reference Standard / Method of test : **MS IEC 61537: 2007**
Cable Tray Systems and Cable Ladder Systems For Cable Management.
(IEC 61537:2001, IDT)

Description of sample: Brand Name : U-Li
Model / Type : 12 models. Refer to page 2 to 7 of 46 for list of models.
Quantity (for each model) :
1. 2 units of narrowest and 2 units of widest width of cable tray length.
2. 5 units of screw, bold and nut or clamping connections.
3. 1 unit of test sample consisting of two cable tray length fix with integral means of connection.
4. 4 units of cable tray with a length of 250mm ± 5mm (widest width).

Date received : 05/03/2012

Job no./Ref. No. : J20121270156-A

Description of test result : The submitted test samples as described in this test report complied with the requirement of the above Reference Standard.

Issued date : **17 MAY 2012**

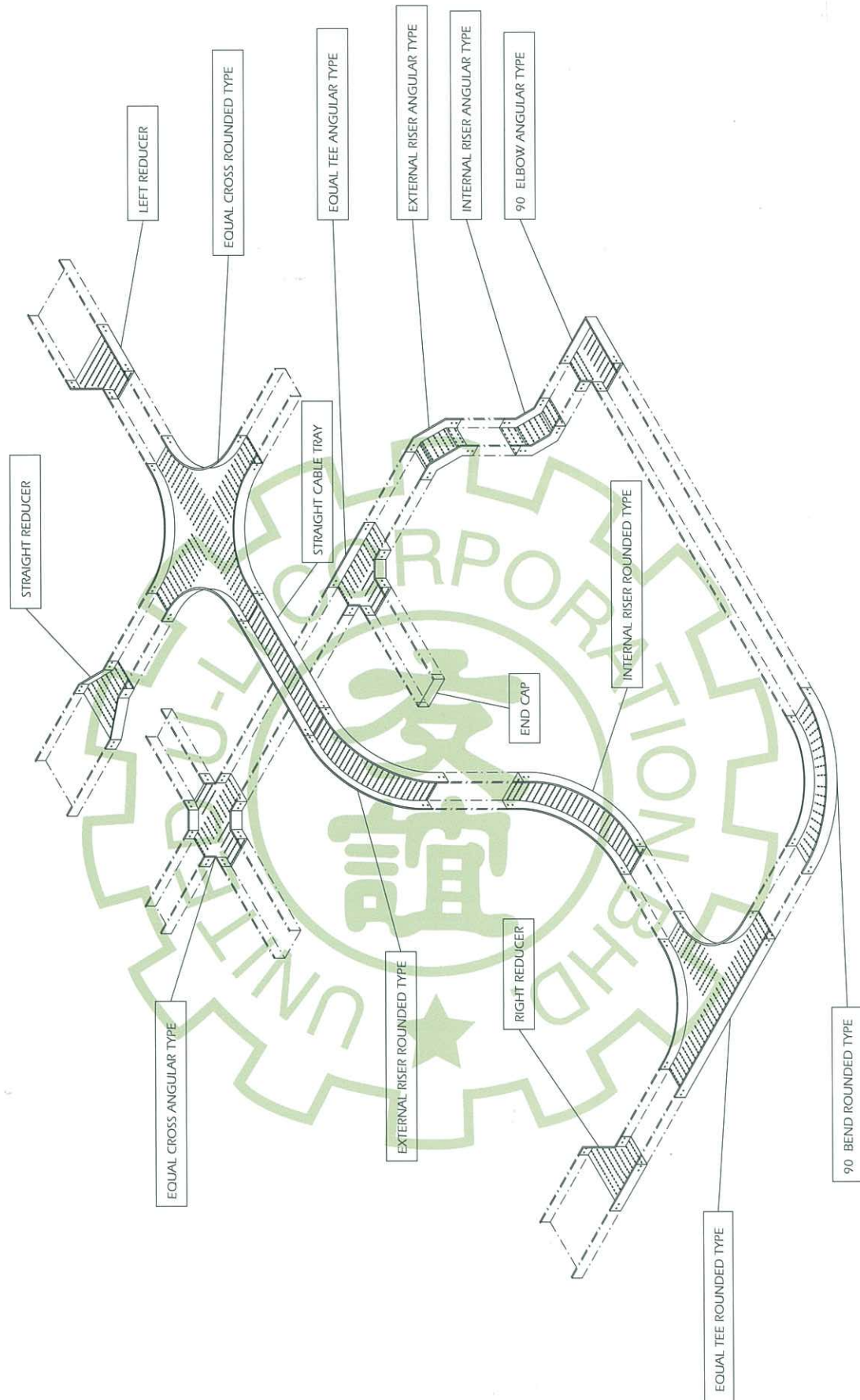
Approved Signatories

(MOHD ALIF MOHD YUSOFF)
Testing Executive



(HAJI MOHD ADZHAR AHMAD)
Head,
Mechanical Section (MST)
Testing Services Department

U-LI™ Steel Cable Tray Typical Layout



Steel Perforated Cable Tray

U-LI™ Steel Cable Tray Product Range

U-LI™ design of Cable Ladder is compact and fast to install, with both straight Cable Ladder and all accessories having a unique integrated coupling system.

U-LI™ offers a wide range of options to suit your design and with load rated to NEMA VE1 IEC. We also manufacture Extra Heavy Duty Cable Ladder upon request.

U-LI™ offers multi side rails, rungs and slots profile for your design needs and applications. It has the advantage of quick on site installation, cut to length and reconnection.

U-LI™ offers a wide range of materials to suit the site condition and also choices of final finishes.

Materials:

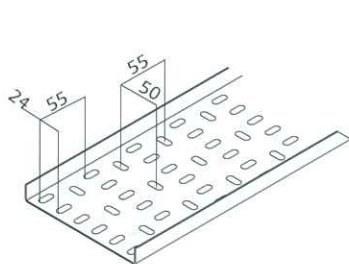
1. Hot roll mild steel. JISG 3131 SPHC
2. Cold roll mild steel. JISG 3141 SPCC - SD
3. Pre-Galvanised Steel BS 2989 or JISG 3302 SGCC
4. Electro-Galvanised. BS 1449 Pt 1:1983
5. Stainless steel. AISI 304, 316 or 316L
6. Aluminium.

Materials thickness range from 1mm thick to 3mm thick.

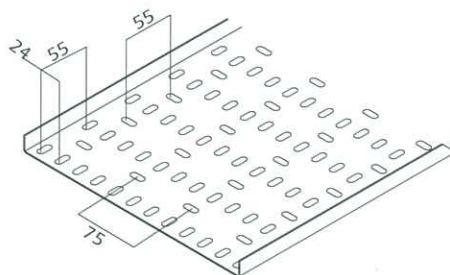
7. High Silicon Steel.
8. ZAM Material

Finishing:

1. Hot dip galvanised.
ASTM A123, BS EN ISO 1461:1999
2. Epoxy coated - ASTM D 1654, BS 6920
3. Polyester coated - ASTM D 1654, BS 6920

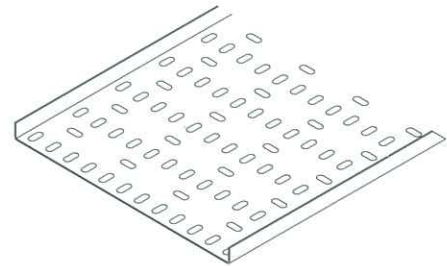


a) For 50mm, 100mm and 150mm width

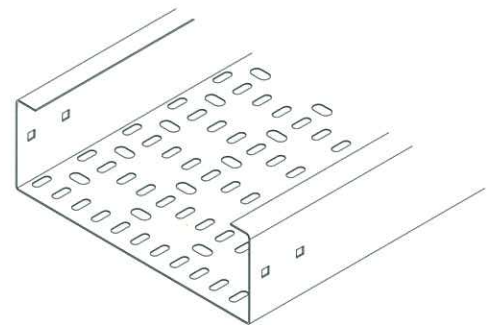


b) For standard width

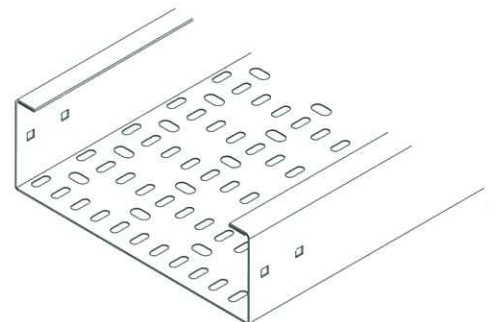
Perforated Tray Series



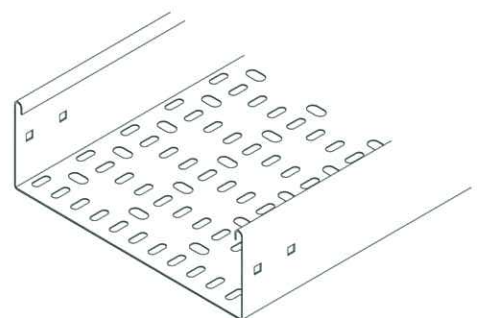
Type: TU



Type: TC



Type: TT

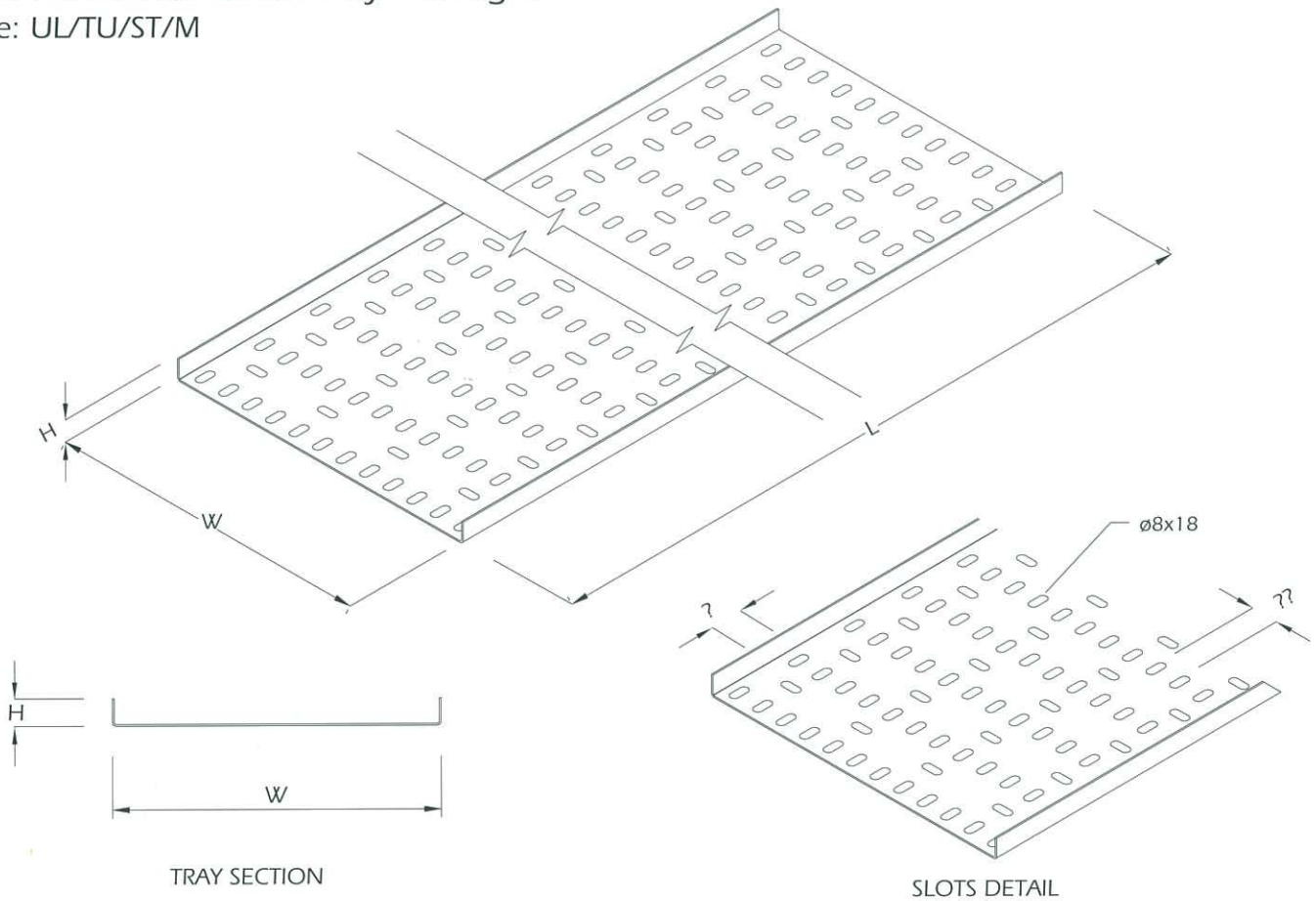


Type: TR

Standard Slots Configuration. Total removal of material approximately 18%. We also manufacture to other slot configurations as per customer's request

Steel Perforated Cable Tray

Steel Perforated Cable Tray - Straight
Type: UL/TU/ST/M



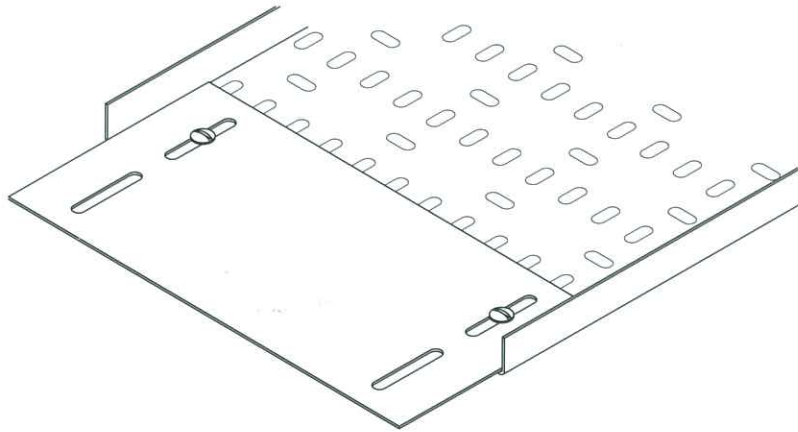
Standard Sizes (TU Type) MS IEC 61537

Components Ref.	H	W	Thickness	Standard (mm) Length	Finishing
UL/TU/ST-1/M	13 / 17 / 20 / 25	50	1.0 / 1.2 / 1.6 / 2.0 / 2.5	2440 / 3000	Pre-Galvanized Steel (Indoor) Electro-Galvanized with Epoxy Powder Coated (Indoor) Hot Dipped Galvanized to BS EN ISO 1461 (Outdoor) Stainless steel for High Corrosion Area ZAM material (Outdoor)
UL/TU/ST-2/M		75		2440 / 3000	
UL/TU/ST-3/M		100		2440 / 3000	
UL/TU/ST-4/M		150		2440 / 3000	
UL/TU/ST-5/M		200		2440 / 3000	
UL/TU/ST-6/M		250		2440 / 3000	
UL/TU/ST-7/M		300		2440 / 3000	
UL/TU/ST-8/M		350		2440 / 3000	
UL/TU/ST-9/M		400		2440 / 3000	
UL/TU/ST-10/M		450		2440 / 3000	
UL/TU/ST-11/M		500		2440 / 3000	
UL/TU/ST-12/M		600		2440 / 3000	
UL/TU/ST-13/M		700		2440 / 3000	
UL/TU/ST-14/M		750		2440 / 3000	
UL/TU/ST-15/M		800		2440 / 3000	
UL/TU/ST-16/M		900		2440 / 3000	
UL/TU/ST-17/M		1000		2440 / 3000	

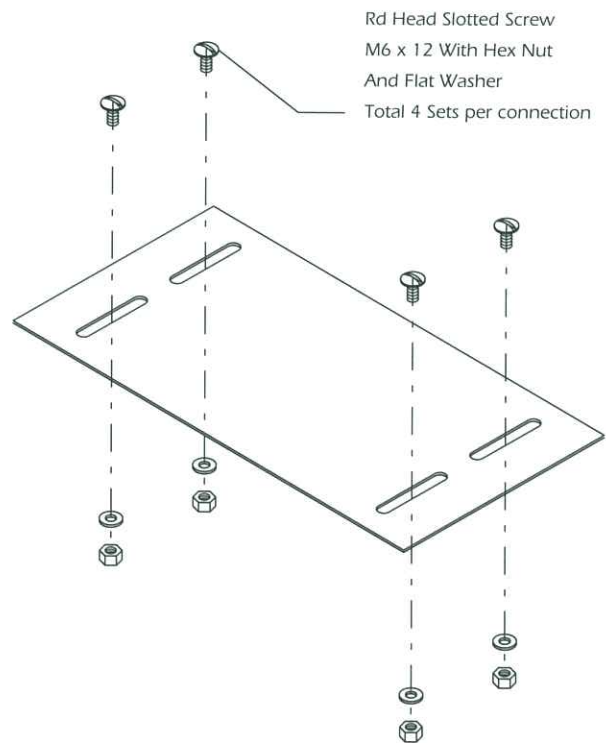
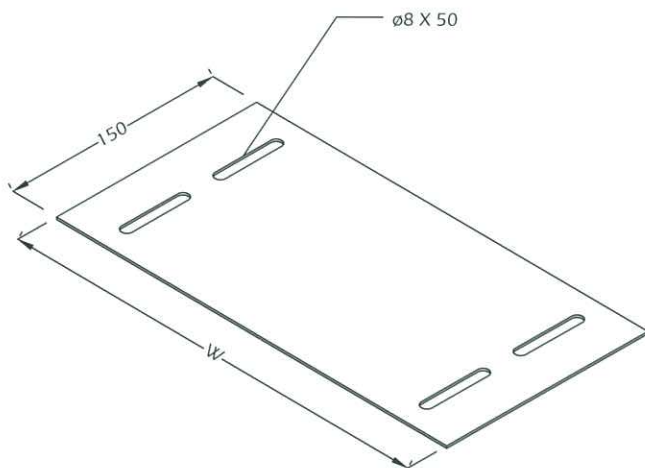
Preferred length 2.44 meter, 3 meter and maximum up to 6 meter
Separate purchase if need for Tray Joint Piece
Thickness Tolerance with + - 10%

Steel Perforated Cable Tray - Horizontal Splice Plate

Type: UL/TU/HS/M (Seperate order item)



Application



Rd Head Slotted Screw
M6 x 12 With Hex Nut
And Flat Washer
Total 4 Sets per connection

Splice Plate and Fixture

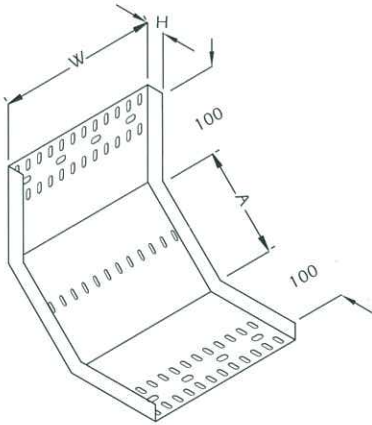
Components Ref.	W	Finish	Application
UL/TU/HS/M	Perforated Tray Width Minus 6mm	Hot Dip Galvanised Epoxy or Polyester Coated Stainless	Applicable to: Straight Trays, Elbows and Risers

Dimension in Millimetre

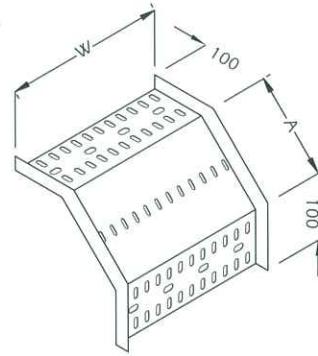
When ordering please indicate straight cable tray Width.

Steel Perforated Cable Tray

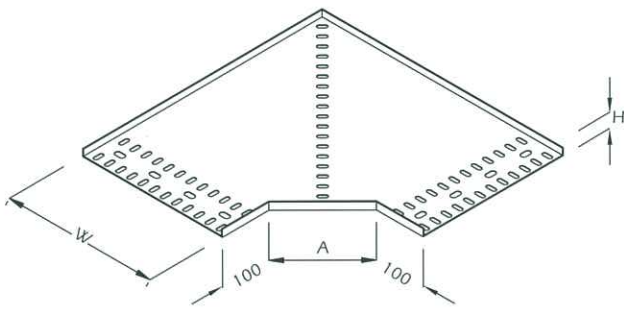
Steel Perforated Cable Tray - Accessories Angular Type



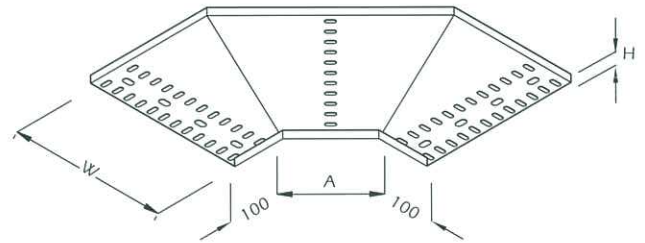
Type: UL/TU/AT-1/M



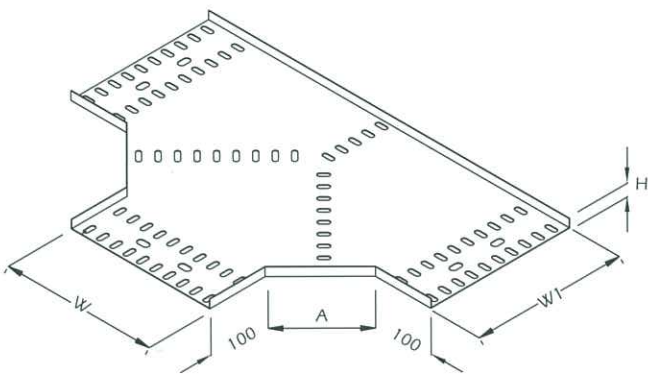
Type: UL/TU/AT-2/M



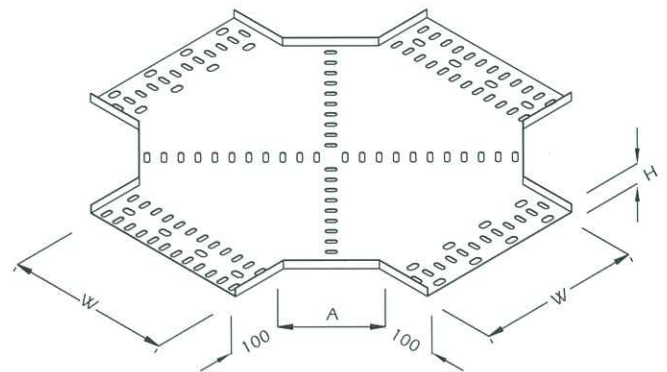
Type: UL/TU/AT-3/M



Type: UL/TU/AT-4/M



Type: UL/TU/AT-5/M



Type: UL/TU/AT-6/M

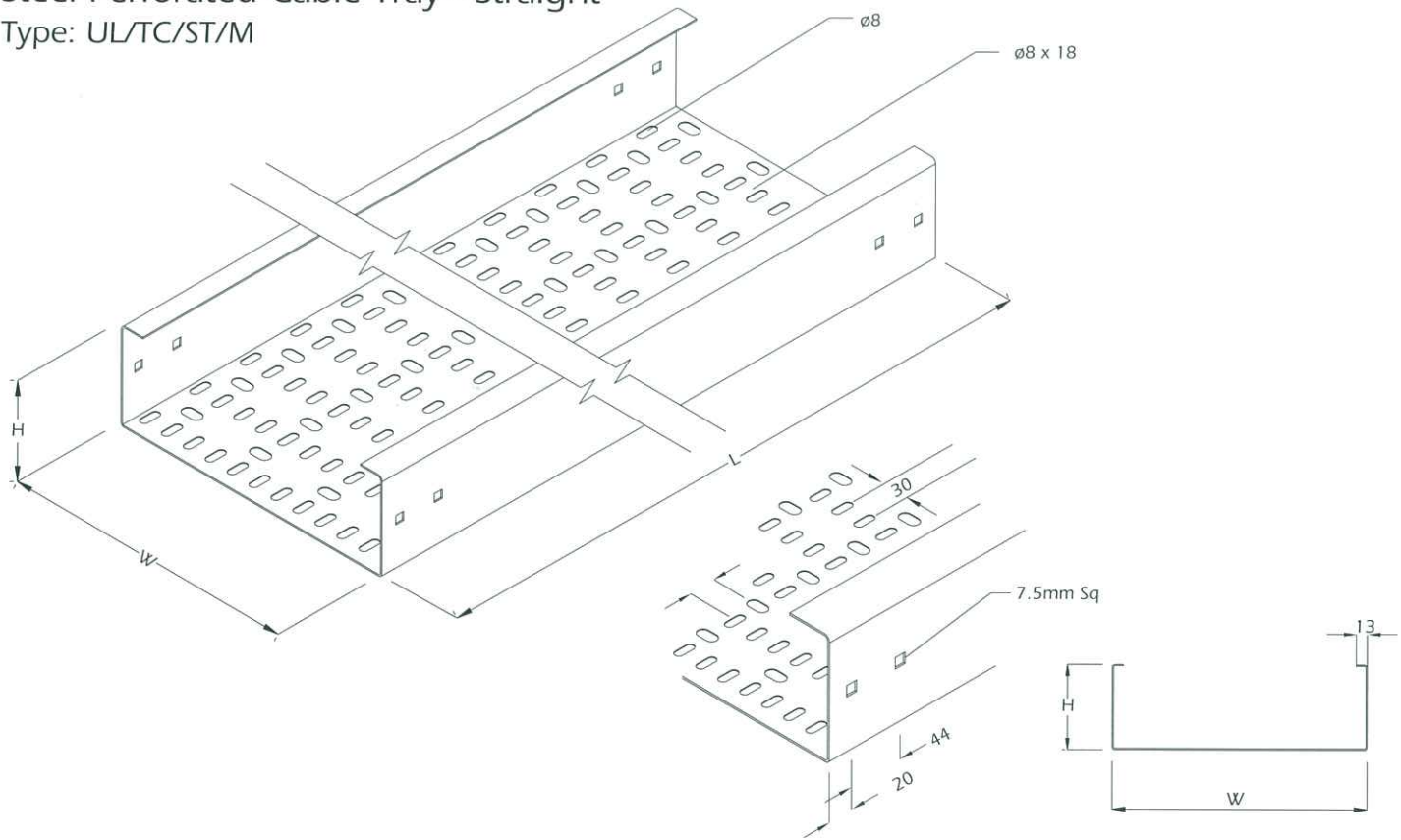
Components Ref.	H	A	W-W1
UL/TU/AT/M	13 / 17 / 20 / 25	100	Width

Dimension in Millimetre

When ordering please indicate Type, Finish and Sizes as in straight cable tray.

Steel Perforated Cable Tray

Steel Perforated Cable Tray - Straight Type: UL/TC/ST/M



Connection Slot Detail

Tray Section

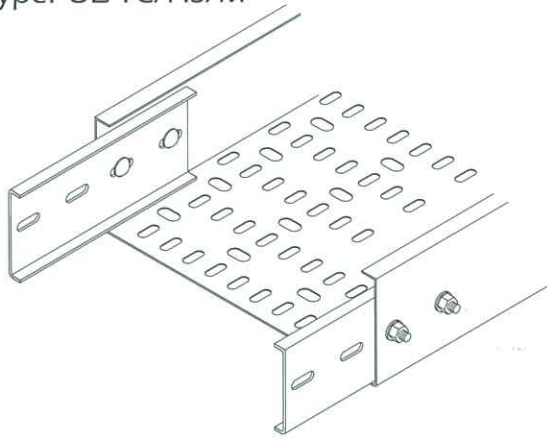
Components Ref.	H	W	Thickness	Standard (mm) Length	Finishing
UL/TC/ST 2-4/M	25 / 50 / 75 / 100 / 125 / 150	100	1.0 / 1.2 / 1.6 / 2.0 / 2.5	2440 / 3000	Pre-Galvanized Steel (Indoor)
UL/TC/ST 2-6/M		150		2440 / 3000	
UL/TC/ST 2-8/M		200		2440 / 3000	
UL/TC/ST 2-10/M		250		2440 / 3000	Electro-Galvanized with Epoxy Powder Coated (Indoor)
UL/TC/ST 2-12/M		300		2440 / 3000	
UL/TC/ST 2-14/M		350		2440 / 3000	
UL/TC/ST 2-16/M		400		2440 / 3000	Hot Dipped Galvanized to BS EN ISO 1461 (Outdoor)
UL/TC/ST 2-18/M		450		2440 / 3000	
UL/TC/ST 2-20/M		500		2440 / 3000	
UL/TC/ST 2-24/M		600		2440 / 3000	Stainless steel for High Corrosion Area
UL/TC/ST 2-28/M		700		2440 / 3000	
UL/TC/ST 2-30/M		750		2440 / 3000	
UL/TC/ST 2-32/M		800		2440 / 3000	ZAM material (Outdoor)
UL/TC/ST 2-36/M		900		2440 / 3000	
UL/TC/ST 2-40/M		1000		2440 / 3000	

Preferred length 2.44 meter, 3 meter and maximum up to 6 meter
 Separate purchase if need for Tray Joint Piece
 Thickness Tolerance with + - 10%

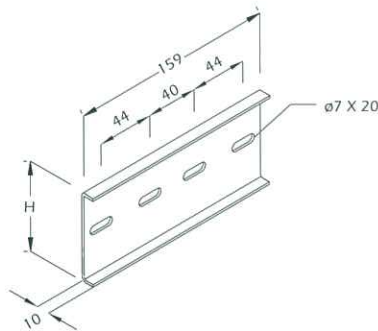
Steel Perforated Cable Tray

Steel Perforated Cable Tray - Horizontal Splice Plate

Type: UL/TC/HS/M

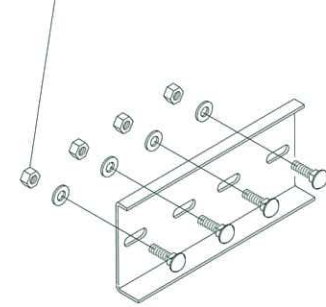


Application



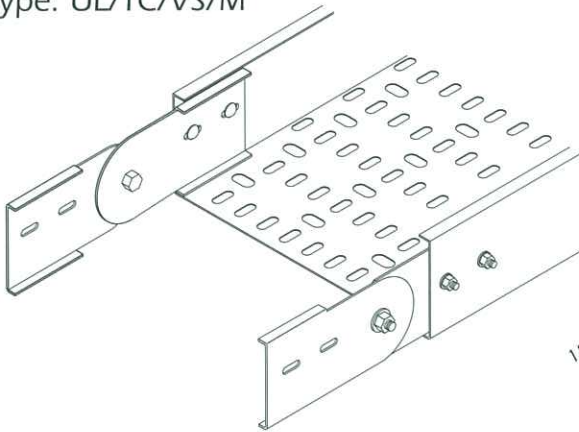
Splice Plate and Fixture

Cup Head Sq Neck Screw
M6x20 With Hex Nut
And Flat Washer
Total 4 Sets per Connection.

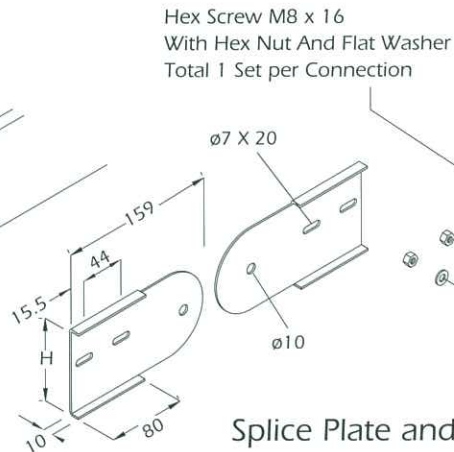


Steel Perforated Cable Tray - Vertical Adjustable Splice Plate

Type: UL/TC/VS/M



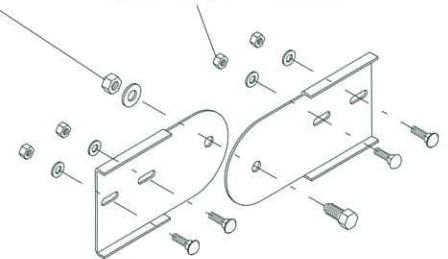
Application



Splice Plate and Fixture

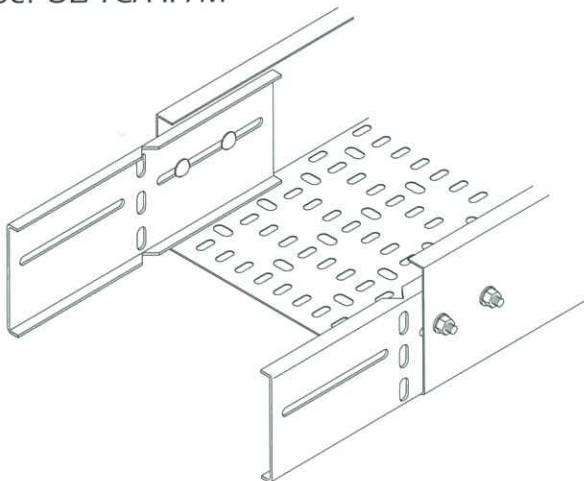
Hex Screw M8 x 16
With Hex Nut And Flat Washer
Total 1 Set per Connection

Cup Head Sq Neck Screw
M6 X 20 With Hex Nut
And Flat Washer
Total 4 Sets per Connection

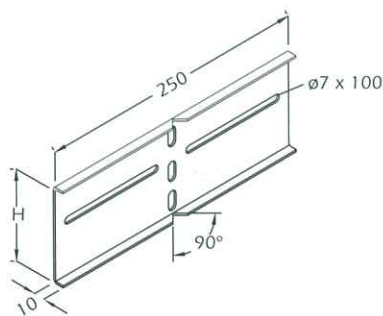


Steel Perforated Cable Tray - Horizontal Adjustable Splice Plate

Type: UL/TC/HP/M

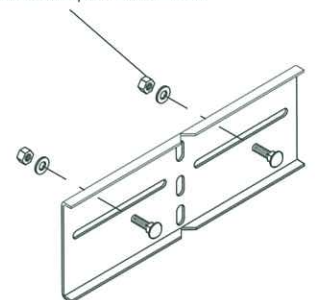


Application



Splice Plate and Fixture

Cup Head Sq Neck Screw
M6 x 20 With Hex Nut
And Flat Washer
Total 2 Sets per Connection

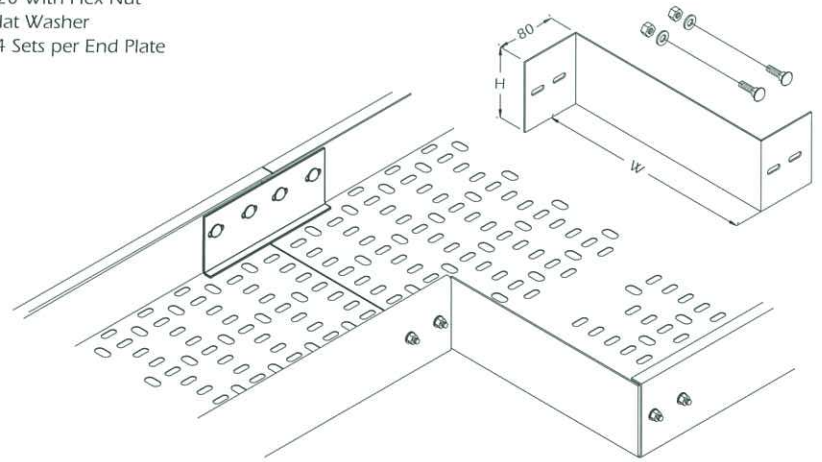
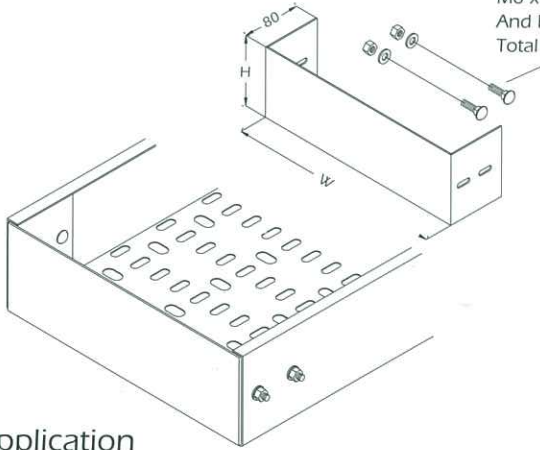


Steel Perforated Cable Tray

Steel Perforated Cable Tray - End Cap

Type: UL/TC/EP/M

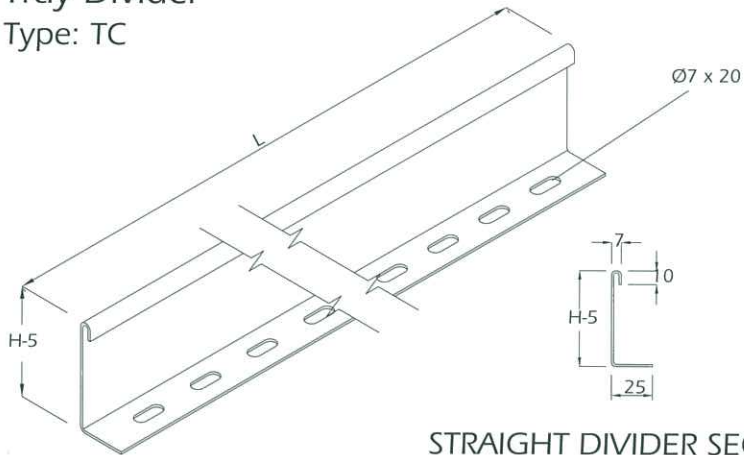
Cup Head Sq Neck Screw
M6 x 20 With Hex Nut
And Flat Washer
Total 4 Sets per End Plate



Application

Tray Divider

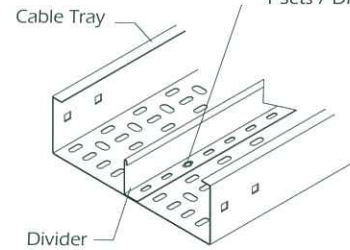
Type: TC



STRAIGHT DIVIDER SECTION

Fixture

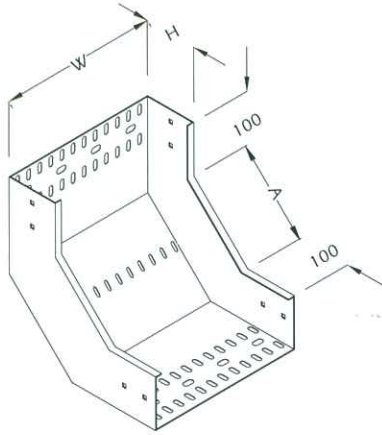
Pan Head Slotted Screw
M6 x 16 With Hex Nut,
& Flat Washer
Finished: Mechanical Zinc
4 Sets / Divider



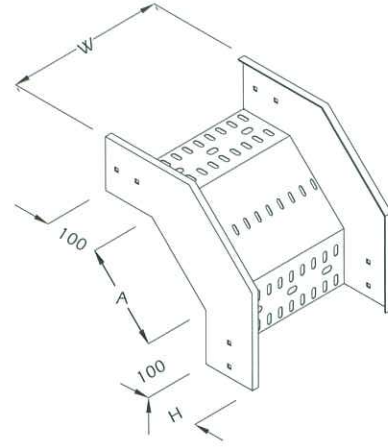
APPLICATION

Steel Perforated Cable Tray

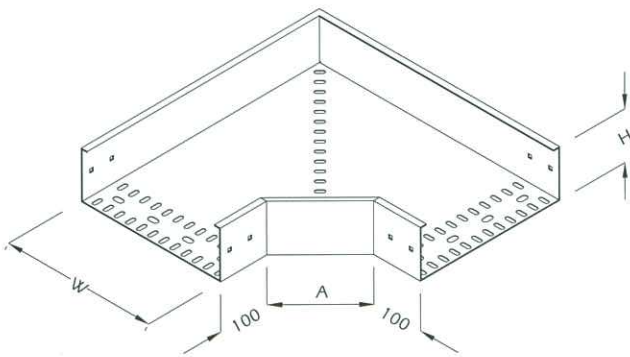
Steel Perforated Cable Tray - Accessories Angular Type



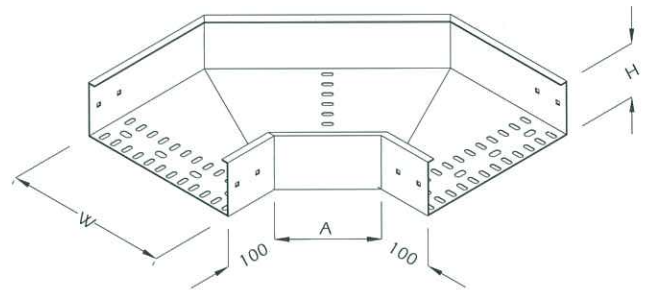
Type: UL/TC/AT-1/M



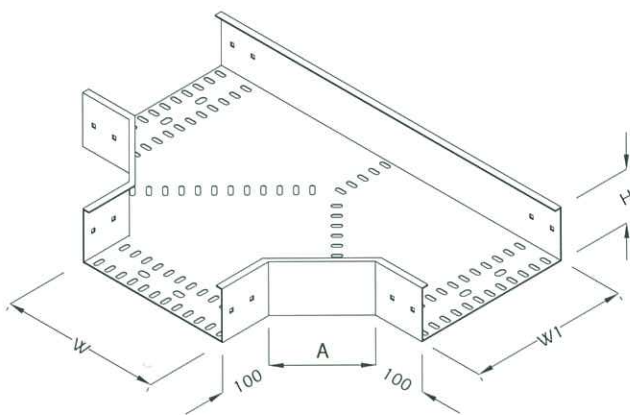
Type: UL/TC/AT-2/M



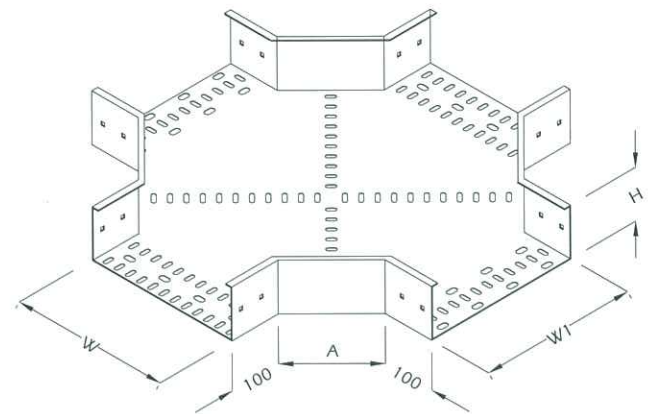
Type: UL/TC/AT-3/M



Type: UL/TC/AT-4/M



Type: UL/TC/AT-5/M



Type: UL/TC/AT-6/M

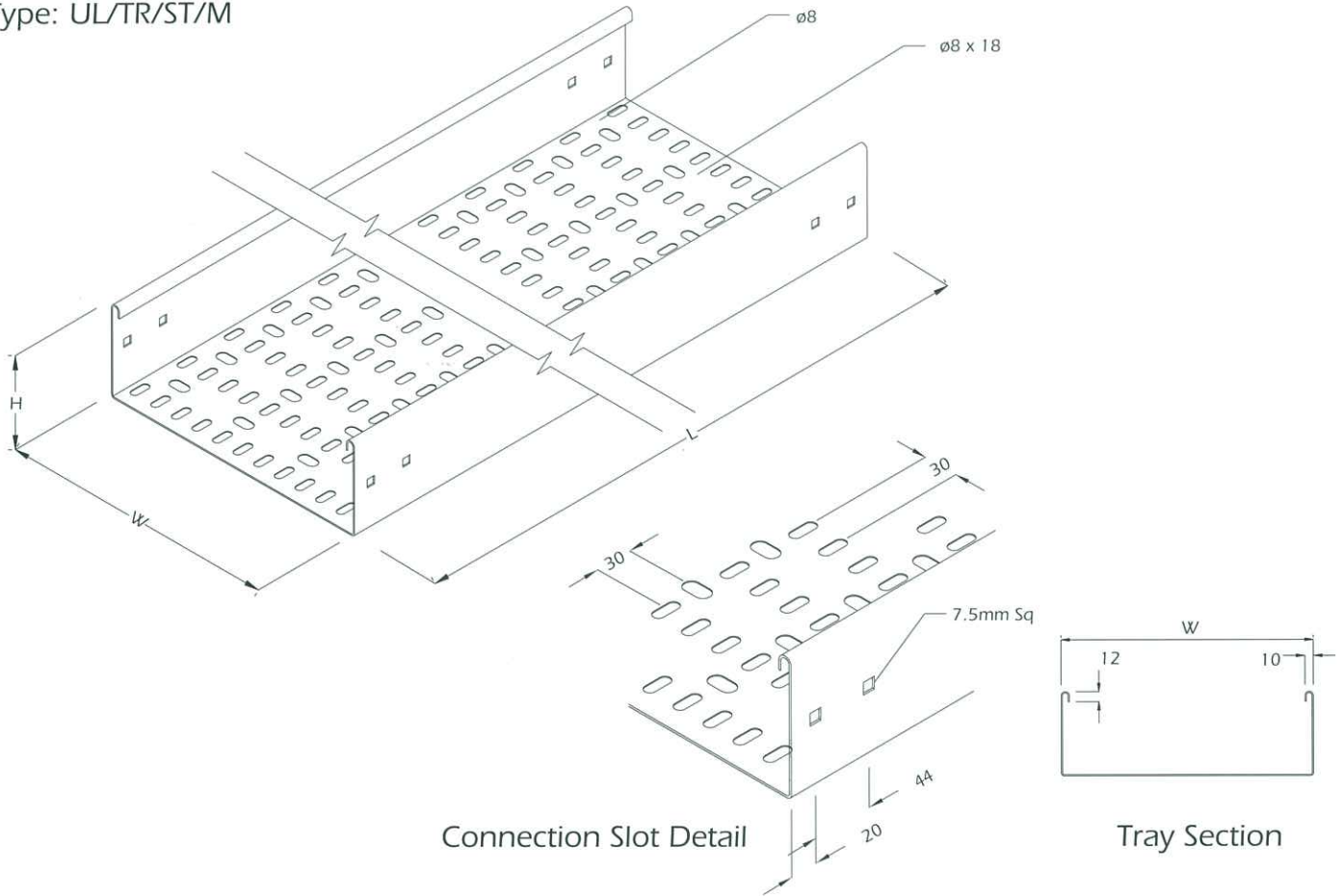
Components Ref.	H	A	W-W1
UL/TC/AT/M	50	100	Width
	75	100	
	100	100	

Dimension in Millimetre

When ordering please indicate Type, Finish and Sizes as in straight cable tray.

Steel Perforated Cable Tray - Straight

Type: UL/TR/ST/M



Components Ref.	H	W	Thickness	Standard (mm) Length	Finishing
UL/TR/ST 2-4/M	25 / 50 / 75 / 100 / 125 / 150	100	1.0 / 1.2 / 1.6 / 2.0 / 2.5	2440 / 3000	Pre-Galvanized Steel (Indoor)
UL/TR/ST 2-6/M		150		2440 / 3000	
UL/TR/ST 2-8/M		200		2440 / 3000	
UL/TR/ST 2-10/M		250		2440 / 3000	Electro-Galvanized with Epoxy Powder Coated (Indoor)
UL/TR/ST 2-12/M		300		2440 / 3000	
UL/TR/ST 2-14/M		350		2440 / 3000	
UL/TR/ST 2-16/M		400		2440 / 3000	Hot Dipped Galvanized to BS EN ISO 1461 (Outdoor)
UL/TR/ST 2-18/M		450		2440 / 3000	
UL/TR/ST 2-20/M		500		2440 / 3000	
UL/TR/ST 2-24/M		600		2440 / 3000	Stainless steel for High Corrosion Area
UL/TR/ST 2-28/M		700		2440 / 3000	
UL/TR/ST 2-30/M		750		2440 / 3000	
UL/TR/ST 2-32/M		800		2440 / 3000	ZAM material (Outdoor)
UL/TR/ST 2-36/M		900		2440 / 3000	
UL/TR/ST 2-40/M		1000		2440 / 3000	

Preferred length 2.44 meter, 3 meter and maximum up to 6 meter

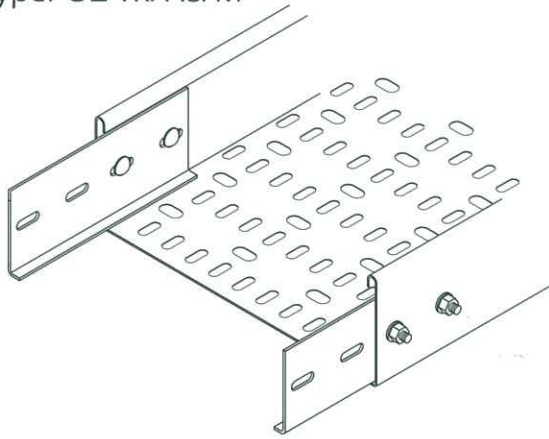
Separate purchase if need for Tray Joint Piece

Thickness Tolerance with + - 10%

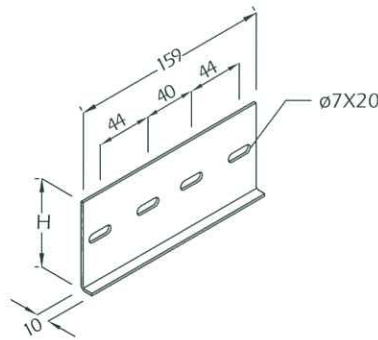
Steel Perforated Cable Tray

Steel Perforated Cable Tray - Horizontal Splice Plate

Type: UL/TR/HS/M

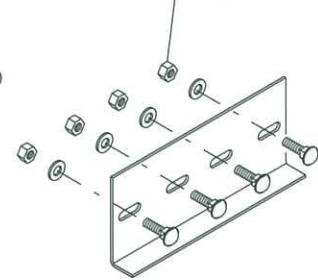


Application



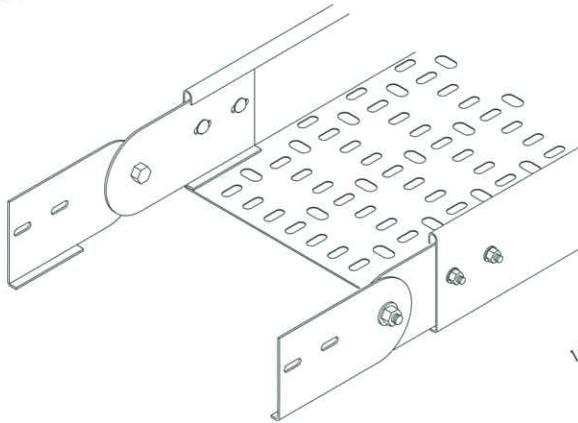
Splice Plate and Fixture

Cup Head Sq Neck Screw
M6x20 With Hex Nut
And Flat Washer
Total 4 Sets per Connection.

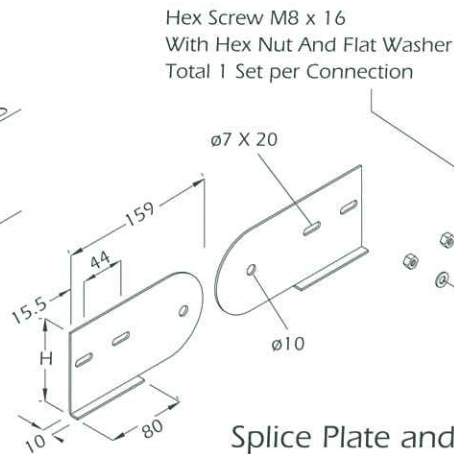


Steel Perforated Cable Tray - Vertical Adjustable Splice Plate

Type: UL/TR/VS/M



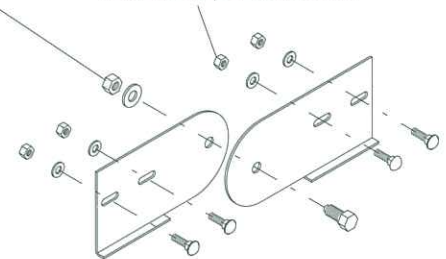
Application



Splice Plate and Fixture

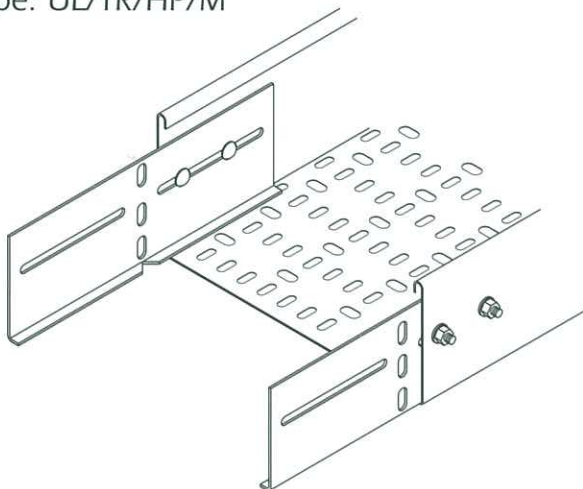
Hex Screw M8 x 16
With Hex Nut And Flat Washer
Total 1 Set per Connection

Cup Head Sq Neck Screw
M6 X 20 With Hex Nut
And Flat Washer
Total 4 Sets per Connection

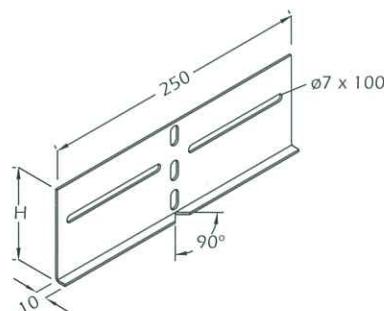


Steel Perforated Cable Tray - Horizontal Adjustable Splice Plate

Type: UL/TR/HP/M

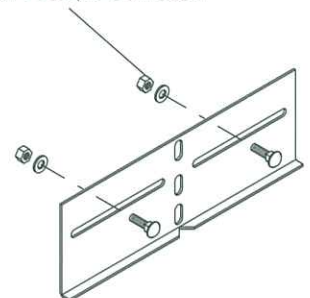


Application



Splice Plate and Fixture

Cup Head Sq Neck Screw
M6 x 20 With Hex Nut
And Flat Washer
Total 2 Sets per Connection

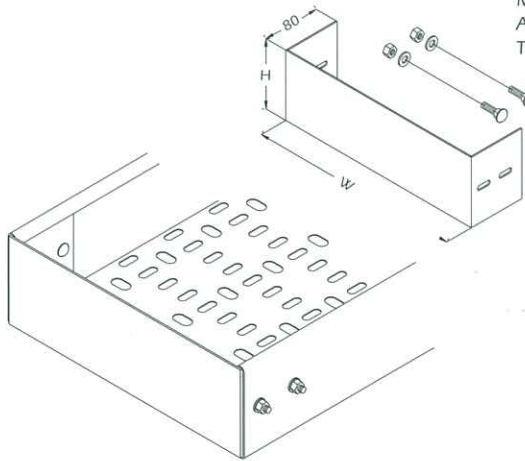


Steel Perforated Cable Tray

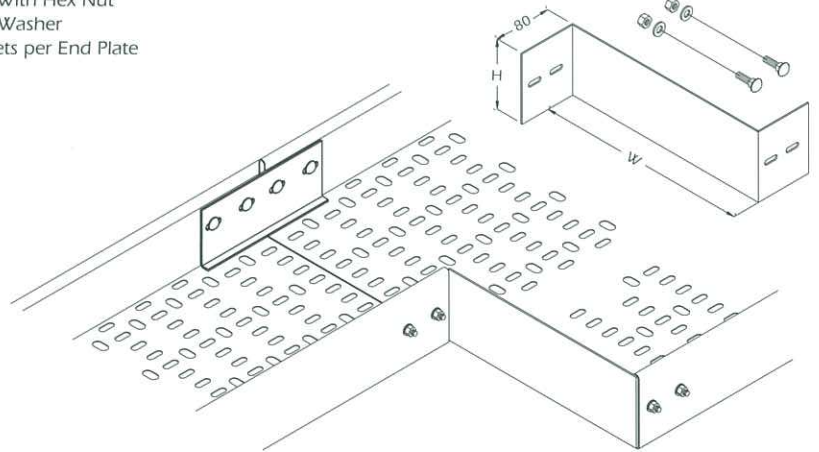
Steel Perforated Cable Tray - End Cap & Reducer Plate

Type: UL/TR/EP/M

Cup Head Sq Neck Screw
M6 x 20 With Hex Nut
And Flat Washer
Total 4 Sets per End Plate



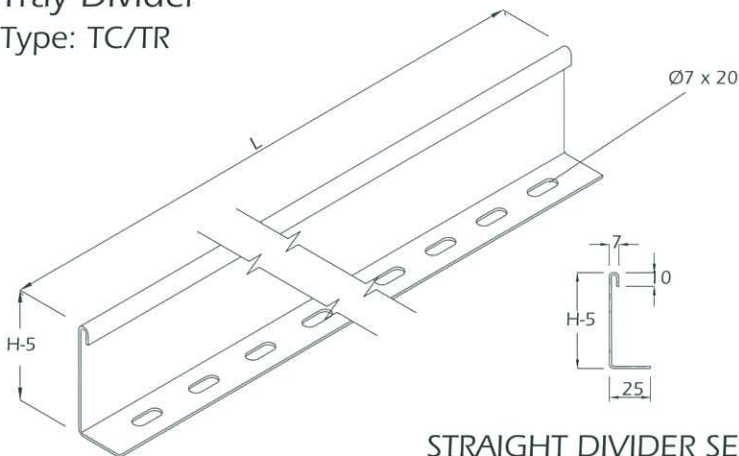
Application



Splice Plate and Fixture

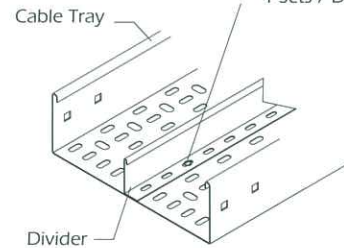
Tray Divider

Type: TC/TR



STRAIGHT DIVIDER SECTION

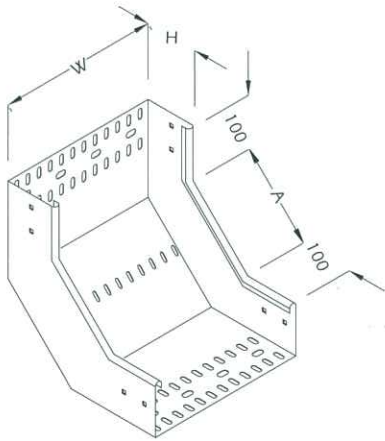
Fixture
Pan Head Slotted Screw
M6 x 16 With Hex Nut,
& Flat Washer
Finished: Mechanical Zinc
4 Sets / Divider



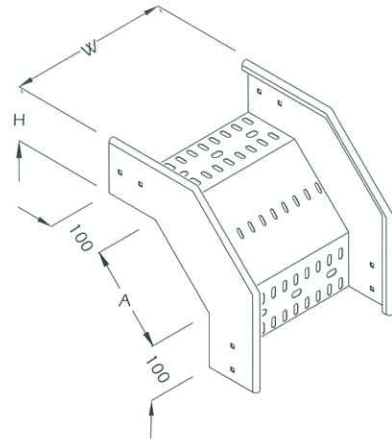
APPLICATION

Steel Perforated Cable Tray

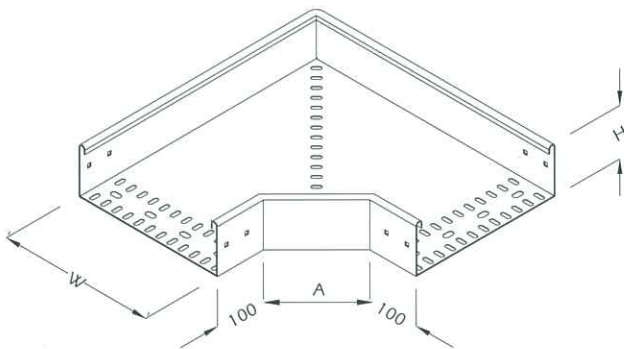
Steel Perforated Cable Tray - Accessories Angular Type



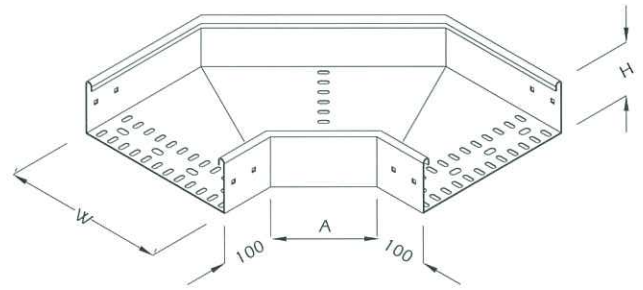
Type: UL/TR/AT-1/M



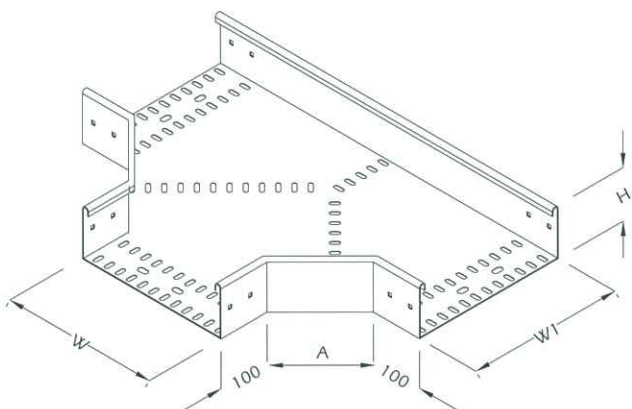
Type: UL/TR/AT-2/M



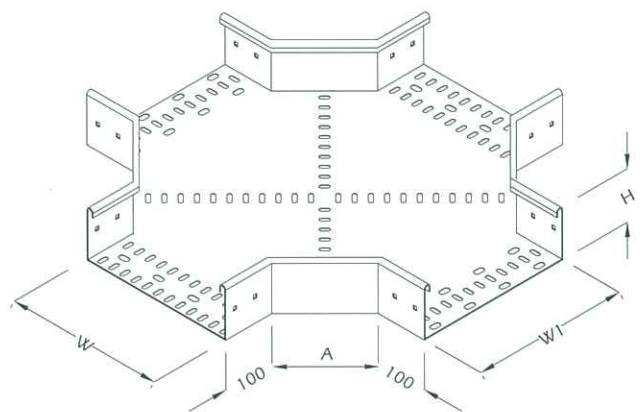
Type: UL/TR/AT-3/M



Type: UL/TR/AT-4/M



Type: UL/TR/AT-5/M



Type: UL/TR/AT-6/M

Components Ref.	H	A	W-W1
UL/TR/AT/M	50	100	Width
	75	100	
	100	100	

Dimension in Millimetre

When ordering please indicate Type, Finish and Sizes as in straight cable tray.



SIRIM QAS International Sdn.Bhd. (Company No.: 410334-X)
 No.1, Persiaran Dato' Menteri, P.O.Box 7035, Section 2,
 40911 Shah Alam, Selangor Darul Ehsan, Malaysia
 Tel. no: 03- 55446382 / 55446380
 Fax. no: 03- 55446381

TEST REPORT

REPORT NO.: J20121270156-B	PAGE : 1 OF 16
<p>This Test Report refers only to samples submitted by the applicant to SIRIM QAS International Sdn. Bhd. and tested by SIRIM QAS International Sdn. Bhd. This test report shall not be reproduced, except in full and shall not be used for advertising purposes by any means or forms without written approval from Managing Director, SIRIM QAS International Sdn. Bhd. Please refer overleaf for Conditions Relating To The Use of Test Report.</p>	

Applicant : **United U-Li Projects Pte. Ltd.**
 1801 Geylang Bahru,
 Block 7B,
 Kallang Distripark,
 Singapore.

Manufacturer : **United U-Li (M) Sdn. Bhd.**
 No. 33, Jalan Kartunis U1/47,
 Temasya Industrial Park, Section U1,
 40150 Shah Alam, Selangor

Product : Cable Ladder

Type of Test / Method of test : Full test.

Reference Standard / Method of test : **MS IEC 61537: 2007**
 Cable Tray Systems and Cable Ladder Systems For Cable Management.
 (IEC 61537:2001, IDT)


Description of sample: Brand Name : U-Li
 Model / Type : 2 models. Refer to page 2 of 16 for list of models.
 Quantity (for each model) :
 1. 2 units of narrowest and 2 units of widest width of cable ladder length.
 2. 5 units of screw, bolt and nut or clamping connections.
 3. 1 unit of test sample consisting of two cable ladder length fix with integral means of connection.
 4. 4 units of cable ladder with a length of 250mm ± 5mm (widest width).

Date received : 05/03/2012

Job no./Ref. No. : J20121270156-B

Description of test result : The submitted test samples as described in this test report complied with the requirement of the above Reference Standard.

Issued date : **13 MAR 2012**

Approved Signatories

 (MOHD ALIF MOHD YUSOFF)
 Testing Executive

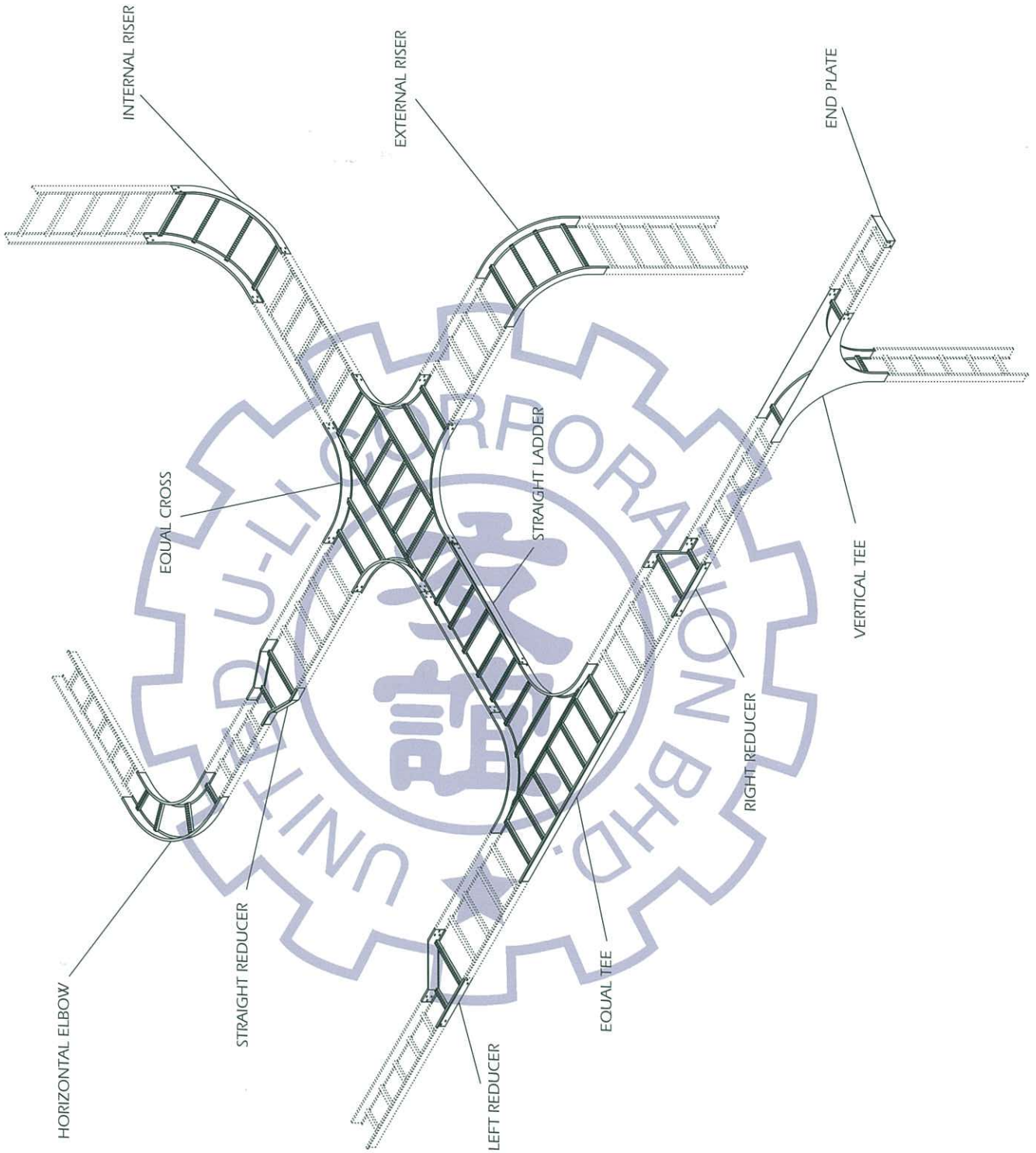

 (HAJI MOHD ADZHAR AHMAD)
 Head,
 Mechanical Section (MST)
 Testing Services Department



12/3.

Steel Cable Ladder

ULI™ Steel Cable Ladder Typical Layout



Steel Cable Ladder

U-LI™ Cable Ladder Product Range

U-LI™ design of Cable Ladder is compact and fast to install, with both straight Cable Ladder and all accessories having a unique integrated coupling system.

U-LI™ offers a wide range of options to suit your design and with load rated to NEMA VE1 IEC. We also manufacture Extra Heavy Duty Cable Ladder upon request.

U-LI™ offers multi side rails, rungs and slots profile for your design needs and applications. It has the advantage of quick on site installation, cut to length and reconnection.

U-LI™ offers a wide range of materials to suit the site condition and also choices of final finishes.

Materials:

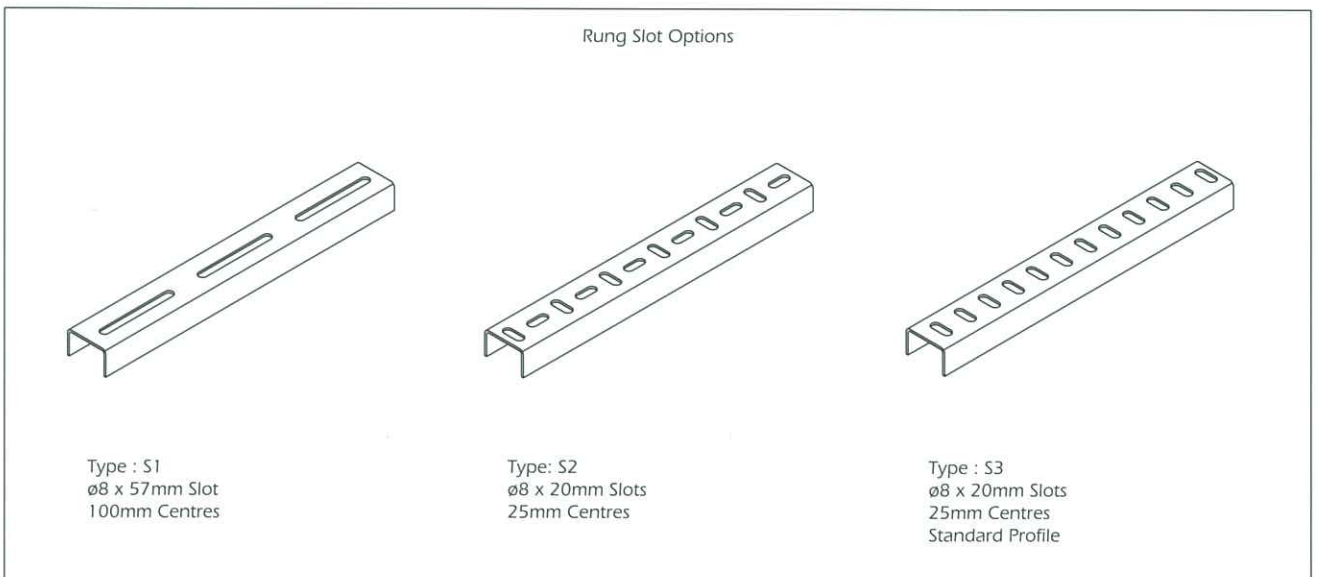
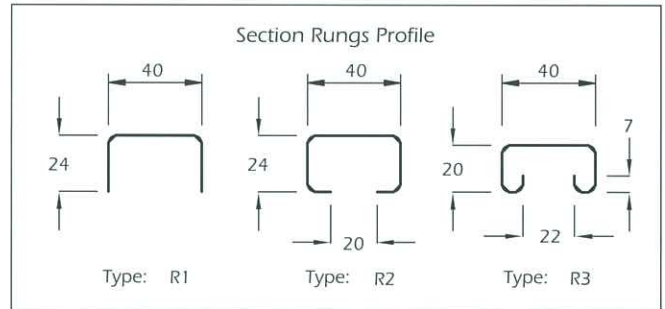
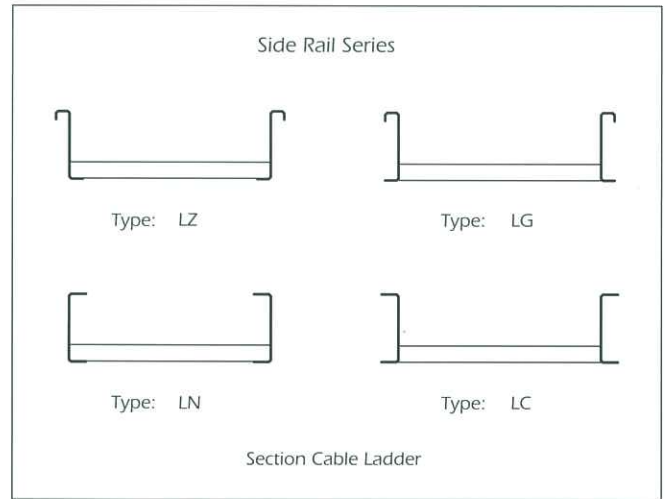
1. Hot roll mild steel. JISG 3131 SPHC
2. Cold roll mild steel. JISG 3141 SPCC - SD
3. Pre-Galvanised Steel BS 2989 or JISG 3302 SGCC
4. Electro-Galvanised. BS 1449 Pt 1:1983
5. Stainless steel. AISI 304, 316 or 316L
6. Aluminium.

Materials thickness range from 1mm thick to 3mm thick.

7. High Silicon Steel.
8. ZAM Material

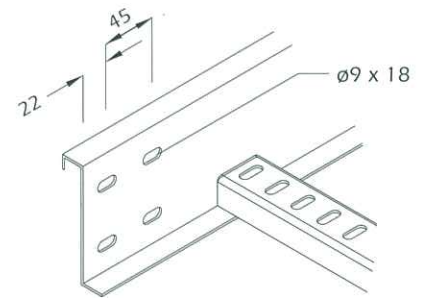
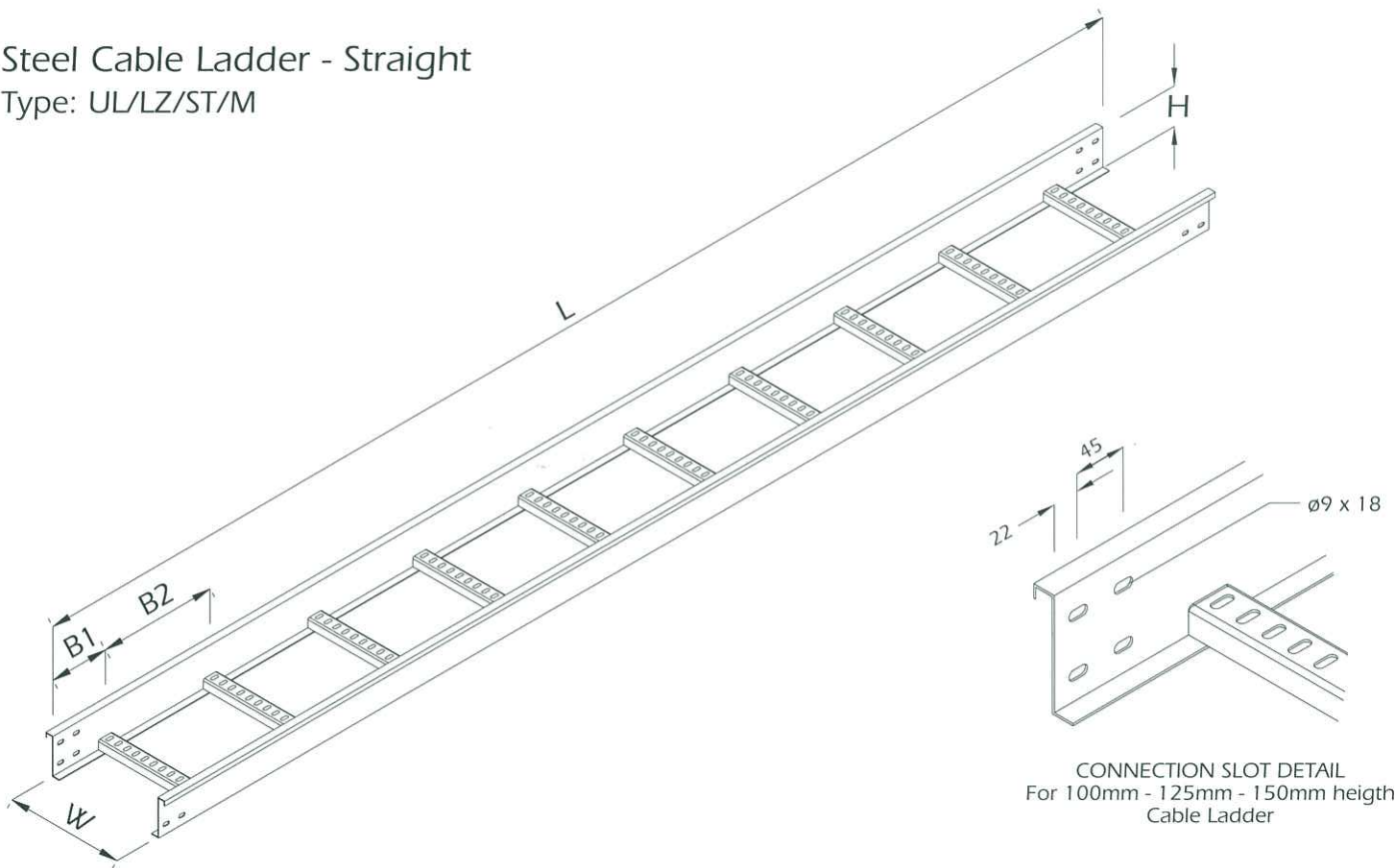
Finishing:

1. Hot dip galvanised.
ASTM A123, BS EN ISO 1461:1999
2. Epoxy coated - ASTM D 1654, BS 6920
3. Polyester coated - ASTM D 1654, BS 6920

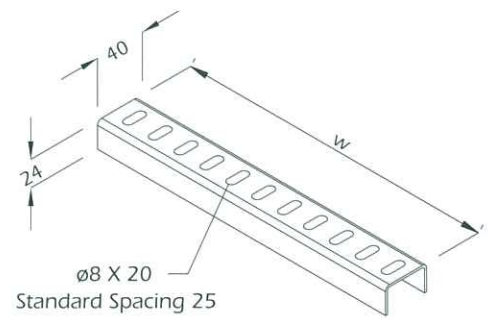


Steel Cable Ladder

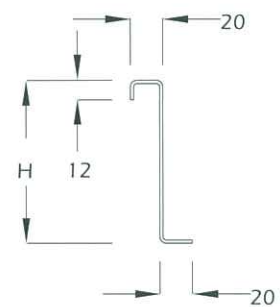
Steel Cable Ladder - Straight
Type: UL/LZ/ST/M



CONNECTION SLOT DETAIL
For 100mm - 125mm - 150mm height
Cable Ladder



RUNG DETAIL



SIDE RAIL SECTION

Components Ref.	H	W	B1	B2	L	Thickness	Finish	
UL/LZ/ST/4-6/M	50 / 75 / 100 / 125 / 150 / 200 / 300	150	150	300	2440mm / 3000mm / 6000mm	1.5mm / 2.0mm / 3.0mm	Pre-Galvanized Steel (Indoor)	
UL/LZ/ST/4-8/M		200	150	300				
UL/LZ/ST/4-12/M		300	150	300				
UL/LZ/ST/4-16/M		400	150	300				
UL/LZ/ST/4-18/M		450	150	300				
UL/LZ/ST/4-20/M		500	150	300				
UL/LZ/ST/4-24/M		600	150	300				
UL/LZ/ST/4-30/M		750	150	300				
UL/LZ/ST/4-36/M		900	150	300				
UL/LZ/ST/4-40/M		1000	150	300				
UL/LZ/ST/6-6/M		150	150	300				Hot Dipped Galvanized to BS EN ISO 1461 (Outdoor)
UL/LZ/ST/6-8/M		200	150	300				
UL/LZ/ST/6-12/M		300	150	300				
UL/LZ/ST/6-16/M		400	150	300				
UL/LZ/ST/6-18/M		450	150	300				
UL/LZ/ST/6-20/M		500	150	300				
UL/LZ/ST/6-24/M		600	150	300				
UL/LZ/ST/6-30/M		750	150	300				
UL/LZ/ST/6-36/M		900	150	300				
UL/LZ/ST/6-40/M		1000	150	300				
							ZAM material (Outdoor)	

Dimension in Millimetre

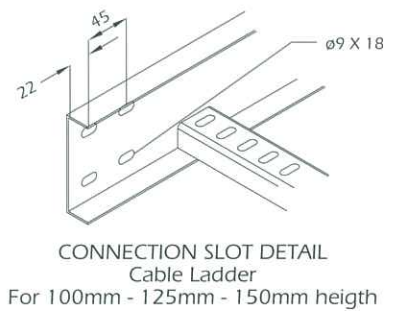
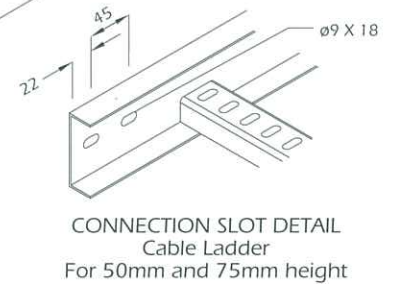
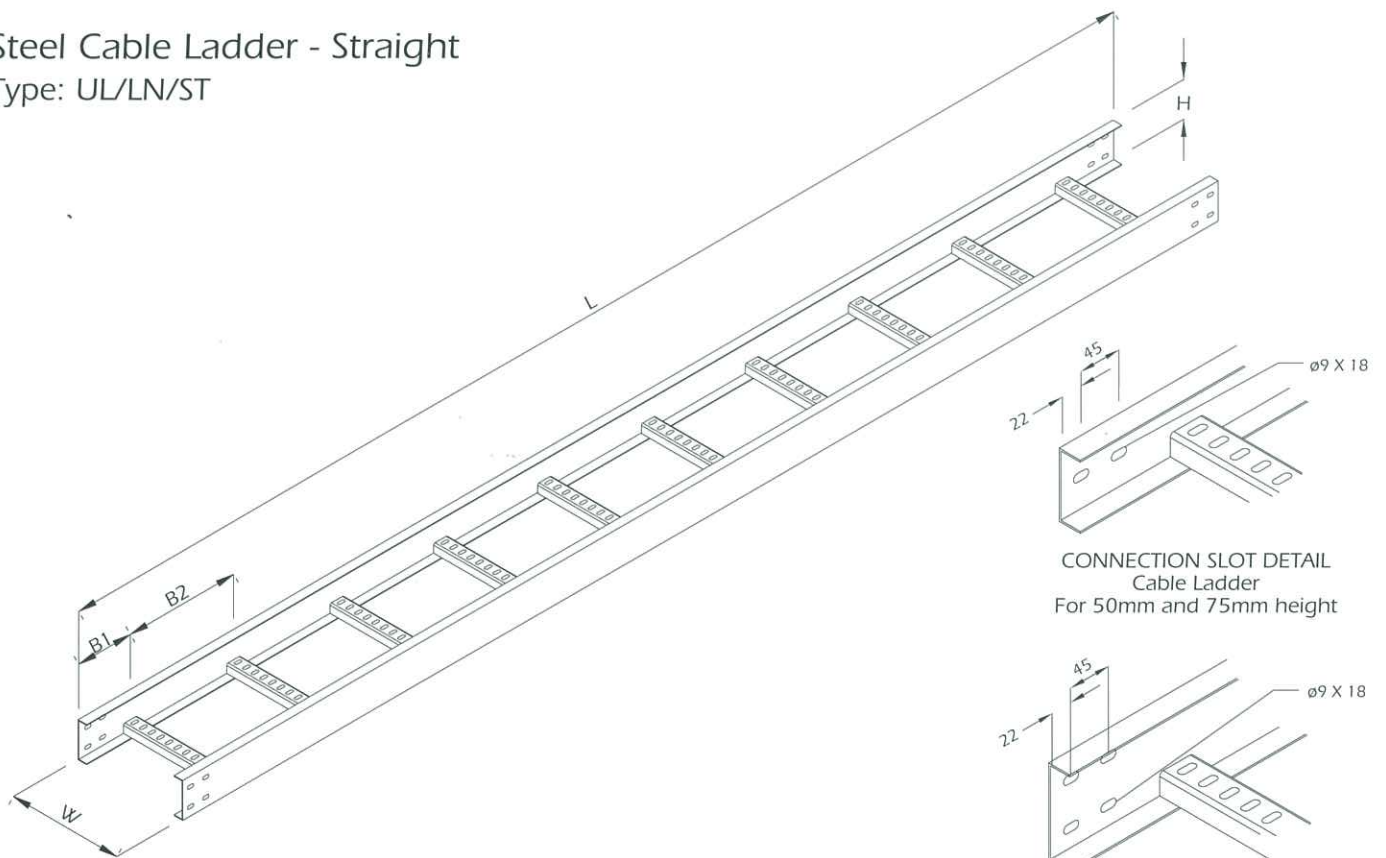
Abbreviation: B - Rung Spacing H - Height L - Length W - Width

When ordering please indicate Material and Finish.

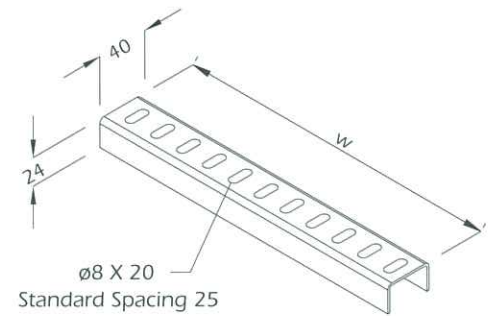
We also supply other sizes with the same Side Rail, Rung Profile and various number of Connection Slots.

Steel Cable Ladder

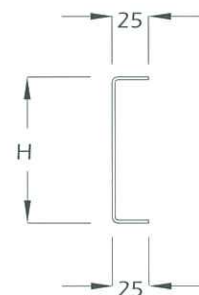
Steel Cable Ladder - Straight
Type: UL/LN/ST



Components Ref.	H	W	B1	B2	L	Thickness	Finish
UL/LZ/ST/4-6/M	50 / 75 / 100 / 125 / 150 / 200 / 300	150	150	300	2440mm / 3000mm / 6000mm	1.5mm / 2.0mm / 2.5mm / 3.0mm	Pre-Galvanized Steel (Indoor)
UL/LZ/ST/4-8/M		200	150	300			
UL/LZ/ST/4-12/M		300	150	300			
UL/LZ/ST/4-16/M		400	150	300			
UL/LZ/ST/4-18/M		450	150	300			
UL/LZ/ST/4-20/M		500	150	300			
UL/LZ/ST/4-24/M		600	150	300			
UL/LZ/ST/4-30/M		750	150	300			
UL/LZ/ST/4-36/M		900	150	300			
UL/LZ/ST/4-40/M		1000	150	300			
UL/LZ/ST/6-6/M		150	150	300			Hot Dipped Galvanized to BS EN ISO 1461 (Outdoor)
UL/LZ/ST/6-8/M		200	150	300			
UL/LZ/ST/6-12/M		300	150	300			
UL/LZ/ST/6-16/M		400	150	300			
UL/LZ/ST/6-18/M		450	150	300			
UL/LZ/ST/6-20/M		500	150	300			
UL/LZ/ST/6-24/M		600	150	300			
UL/LZ/ST/6-30/M		750	150	300			
UL/LZ/ST/6-36/M		900	150	300			
UL/LZ/ST/6-40/M		1000	150	300			
							ZAM material (Outdoor)



RUNG DETAIL



SIDE RAIL SECTION

Dimension in Millimetre

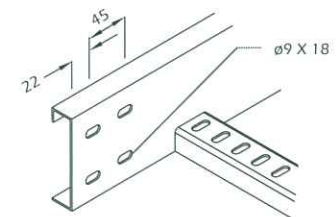
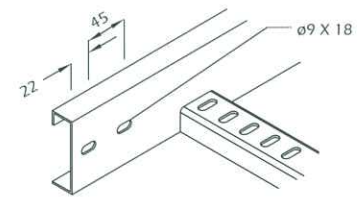
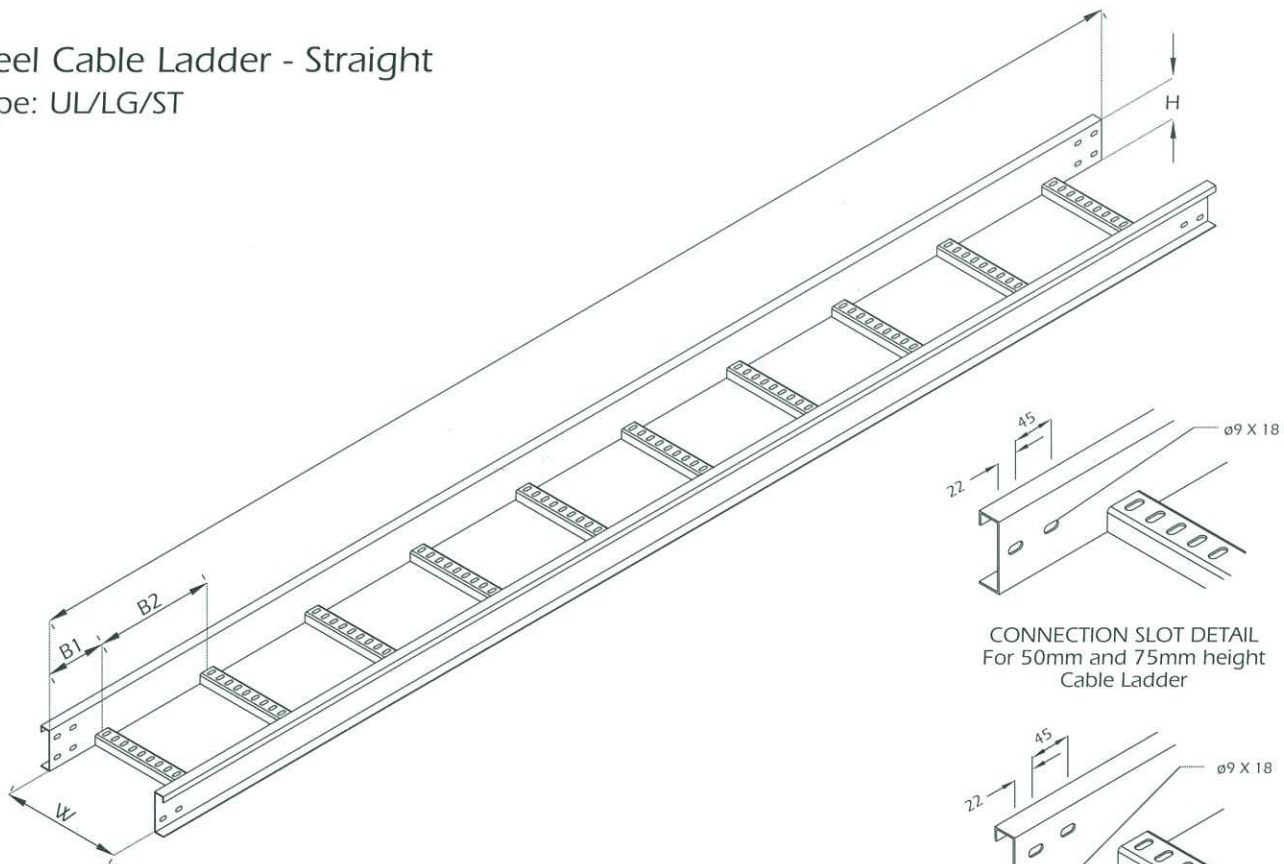
Abbreviation: B - Rung Spacing H - Height L - Length W - Width

When ordering please indicate Material and Finish.

We also supply other sizes with the same Side Rail, Rung Profile and various number of Connection Slots.

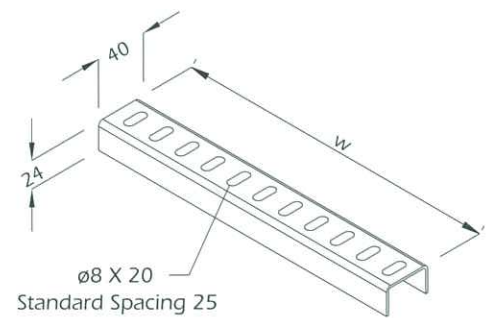
Steel Cable Ladder

Steel Cable Ladder - Straight
Type: UL/LG/ST



Components Ref.	H	W	B1	B2	L	Thickness	Finish		
UL/LZ/ST/4-6/M	50 / 75 / 100 / 125 / 150 / 200 / 300	150	150	300	2440mm / 3000mm / 6000mm	1.5mm / 2.0mm / 2.5mm / 3.0mm	Pre-Galvanized Steel (Indoor)		
UL/LZ/ST/4-8/M		200	150	300					
UL/LZ/ST/4-12/M		300	150	300					
UL/LZ/ST/4-16/M		400	150	300					
UL/LZ/ST/4-18/M		450	150	300					
UL/LZ/ST/4-20/M		500	150	300					
UL/LZ/ST/4-24/M		600	150	300					
UL/LZ/ST/4-30/M		750	150	300					
UL/LZ/ST/4-36/M		900	150	300					
UL/LZ/ST/4-40/M		1000	150	300				Hot Dipped Galvanized to BS EN ISO 1461 (Outdoor)	
UL/LZ/ST/6-6/M		150	150	300					
UL/LZ/ST/6-8/M		200	150	300					
UL/LZ/ST/6-12/M		300	150	300					Stainless steel for High Corrosion Area
UL/LZ/ST/6-16/M		400	150	300					
UL/LZ/ST/6-18/M		450	150	300					
UL/LZ/ST/6-20/M		500	150	300					
UL/LZ/ST/6-24/M	600	150	300	ZAM material (Outdoor)					
UL/LZ/ST/6-30/M	750	150	300						
UL/LZ/ST/6-36/M	900	150	300						
UL/LZ/ST/6-40/M	1000	150	300						

CONNECTION SLOT DETAIL
For 100mm - 125mm - 150mm height
Cable Ladder



RUNG DETAIL



SIDE RAIL SECTION

Dimension in Millimetre

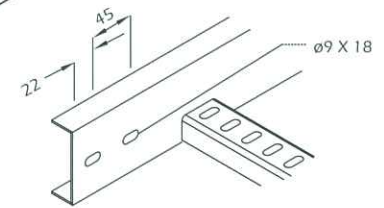
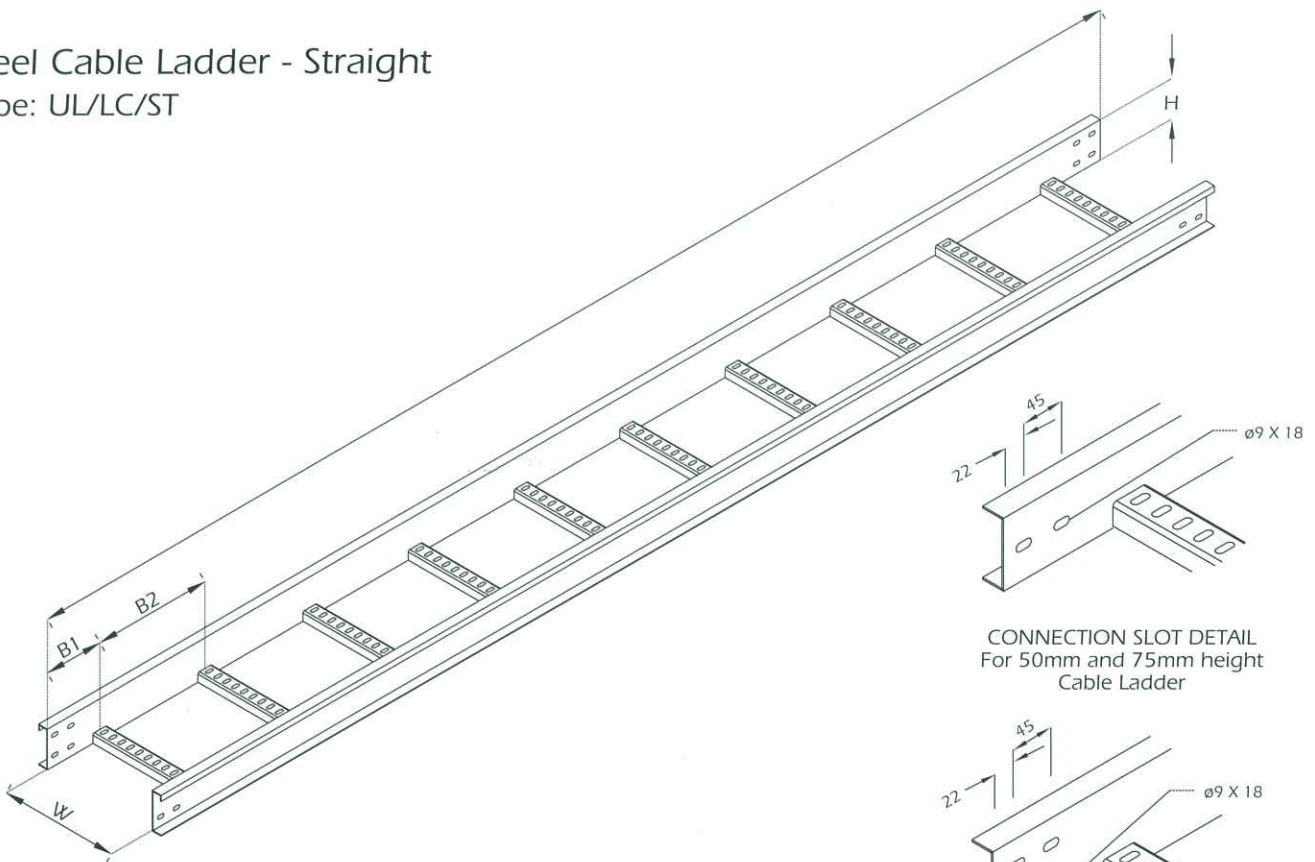
Abbreviation: B - Rung Spacing H - Height L - Length W - Width

When ordering please indicate Material and Finish.

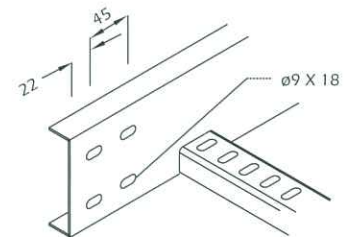
We also supply other sizes with the same Side Rail, Rung Profile and various number of Connection Slots.

Steel Cable Ladder

Steel Cable Ladder - Straight
Type: UL/LC/ST

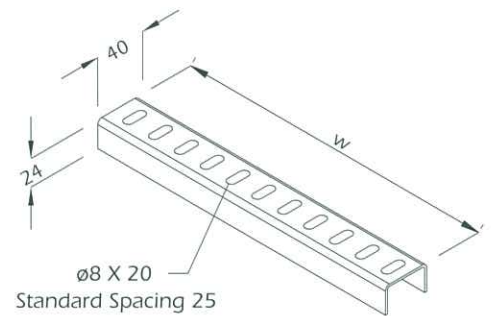


CONNECTION SLOT DETAIL
For 50mm and 75mm height
Cable Ladder



CONNECTION SLOT DETAIL
For 100mm - 125mm - 150mm height
Cable Ladder

Components Ref.	H	W	B1	B2	L	Thickness	Finish
UL/LZ/ST/4-6/M	50 / 75 / 100 / 125 / 150 / 200 / 300	150	150	300	2440mm / 3000mm / 6000mm	1.5mm / 2.0mm / 2.5mm / 3.0mm	Pre-Galvanized Steel (Indoor)
UL/LZ/ST/4-8/M		200	150	300			
UL/LZ/ST/4-12/M		300	150	300			
UL/LZ/ST/4-16/M		400	150	300			
UL/LZ/ST/4-18/M		450	150	300			
UL/LZ/ST/4-20/M		500	150	300			
UL/LZ/ST/4-24/M		600	150	300			
UL/LZ/ST/4-30/M		750	150	300			
UL/LZ/ST/4-36/M		900	150	300			
UL/LZ/ST/4-40/M		1000	150	300			
UL/LZ/ST/6-6/M		150	150	300			Hot Dipped Galvanized to BS EN ISO 1461 (Outdoor)
UL/LZ/ST/6-8/M		200	150	300			
UL/LZ/ST/6-12/M		300	150	300			
UL/LZ/ST/6-16/M		400	150	300			
UL/LZ/ST/6-18/M		450	150	300			
UL/LZ/ST/6-20/M		500	150	300			
UL/LZ/ST/6-24/M		600	150	300			
UL/LZ/ST/6-30/M		750	150	300			
UL/LZ/ST/6-36/M		900	150	300			
UL/LZ/ST/6-40/M		1000	150	300			
							ZAM material (Outdoor)



RUNG DETAIL



SIDE RAIL SECTION

Dimension in Millimetre

Abbreviation: B - Rung Spacing H - Height L - Length W - Width

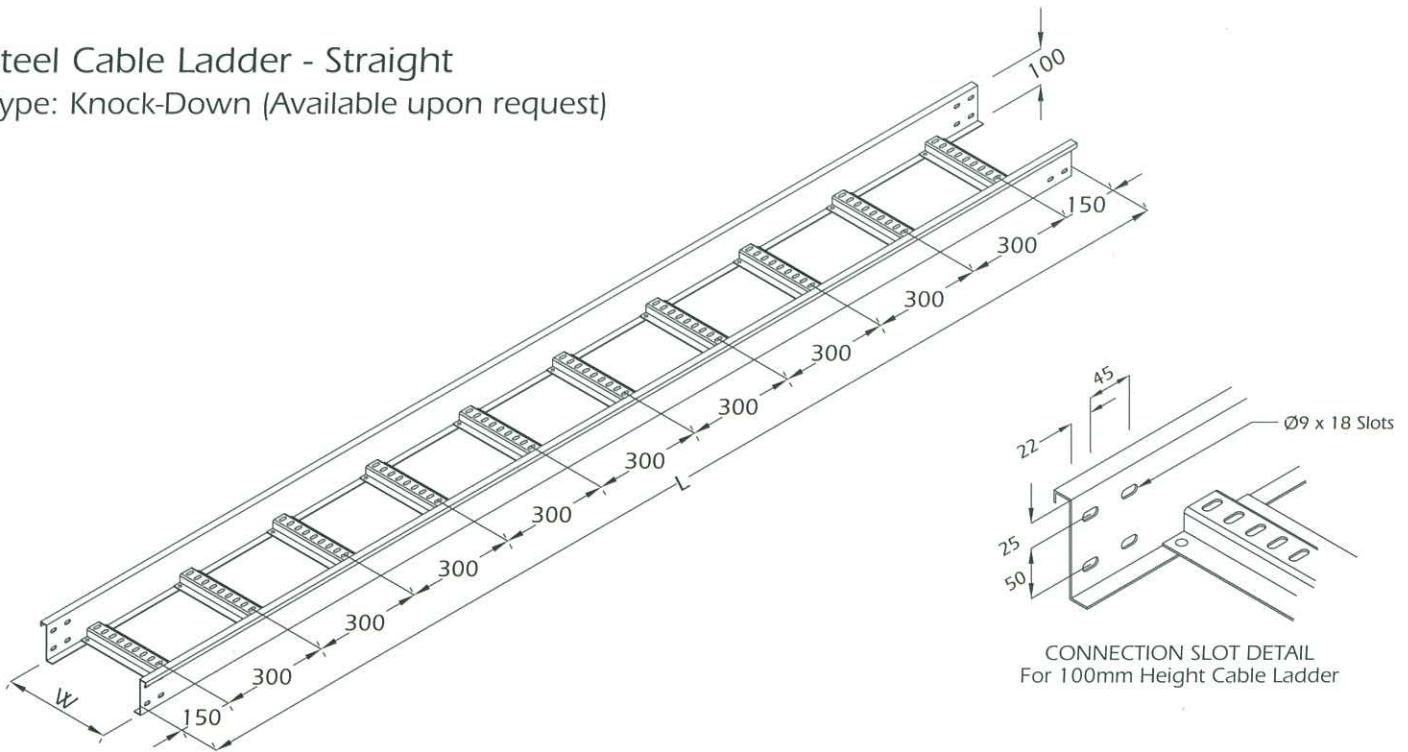
When ordering please indicate Material and Finish.

We also supply other sizes with the same Side Rail, Rung Profile and various number of Connection Slots.

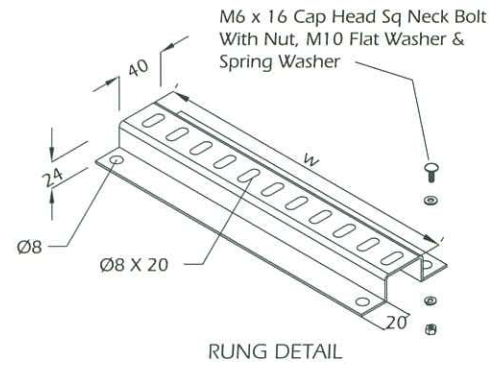
Steel Cable Ladder

Steel Cable Ladder - Straight

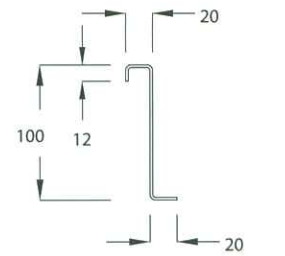
Type: Knock-Down (Available upon request)



CONNECTION SLOT DETAIL
For 100mm Height Cable Ladder



RUNG DETAIL



SIDE RAIL SECTION DETAIL

Components Ref.	H	W	B1	B2	L	Thickness	Finish
UL/LZ/ST/4-6/M	50 / 75 / 100 / 125 / 150 / 200 / 300	150	150	300	2440mm / 3000mm / 6000mm	1.5mm / 2.0mm / 2.5mm / 3.0mm	Pre-Galvanized Steel (Indoor)
UL/LZ/ST/4-8/M		200	150	300			
UL/LZ/ST/4-12/M		300	150	300			
UL/LZ/ST/4-16/M		400	150	300			
UL/LZ/ST/4-18/M		450	150	300			
UL/LZ/ST/4-20/M		500	150	300			
UL/LZ/ST/4-24/M		600	150	300			
UL/LZ/ST/4-30/M		750	150	300			
UL/LZ/ST/4-36/M		900	150	300			
UL/LZ/ST/4-40/M		1000	150	300			
UL/LZ/ST/6-6/M	50 / 75 / 100 / 125 / 150 / 200 / 300	150	150	300	2440mm / 3000mm / 6000mm	1.5mm / 2.0mm / 2.5mm / 3.0mm	Hot Dipped Galvanized to BS EN ISO 1461 (Outdoor)
UL/LZ/ST/6-8/M		200	150	300			
UL/LZ/ST/6-12/M		300	150	300			
UL/LZ/ST/6-16/M		400	150	300			
UL/LZ/ST/6-18/M		450	150	300			
UL/LZ/ST/6-20/M		500	150	300			
UL/LZ/ST/6-24/M		600	150	300			
UL/LZ/ST/6-30/M		750	150	300			
UL/LZ/ST/6-36/M		900	150	300			
UL/LZ/ST/6-40/M		1000	150	300			
UL/LZ/ST/6-6/M	50 / 75 / 100 / 125 / 150 / 200 / 300	150	150	300	2440mm / 3000mm / 6000mm	1.5mm / 2.0mm / 2.5mm / 3.0mm	Stainless steel for High Corrosion Area
UL/LZ/ST/6-8/M		200	150	300			
UL/LZ/ST/6-12/M		300	150	300			
UL/LZ/ST/6-16/M		400	150	300			
UL/LZ/ST/6-18/M		450	150	300			
UL/LZ/ST/6-20/M		500	150	300			
UL/LZ/ST/6-24/M		600	150	300			
UL/LZ/ST/6-30/M		750	150	300			
UL/LZ/ST/6-36/M		900	150	300			
UL/LZ/ST/6-40/M		1000	150	300			
UL/LZ/ST/6-6/M	50 / 75 / 100 / 125 / 150 / 200 / 300	150	150	300	2440mm / 3000mm / 6000mm	1.5mm / 2.0mm / 2.5mm / 3.0mm	ZAM material (Outdoor)
UL/LZ/ST/6-8/M		200	150	300			
UL/LZ/ST/6-12/M		300	150	300			
UL/LZ/ST/6-16/M		400	150	300			
UL/LZ/ST/6-18/M		450	150	300			
UL/LZ/ST/6-20/M		500	150	300			
UL/LZ/ST/6-24/M		600	150	300			
UL/LZ/ST/6-30/M		750	150	300			
UL/LZ/ST/6-36/M		900	150	300			
UL/LZ/ST/6-40/M		1000	150	300			

Dimension in Millimetre

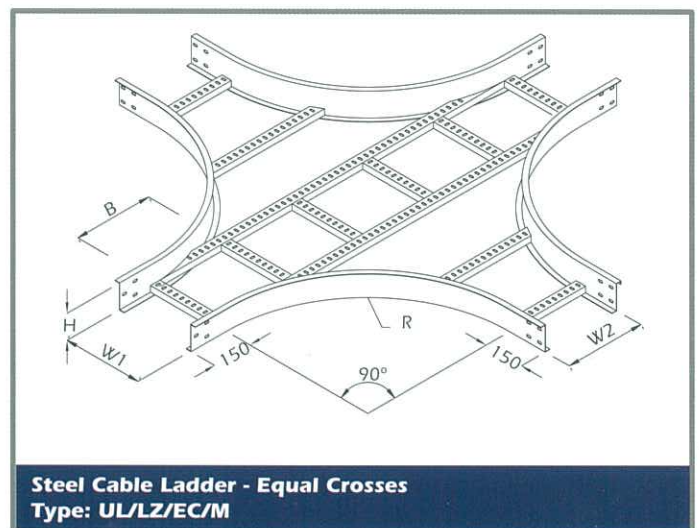
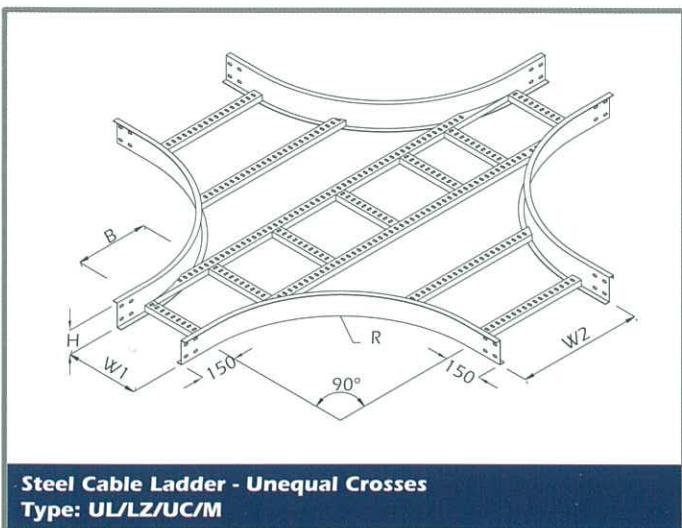
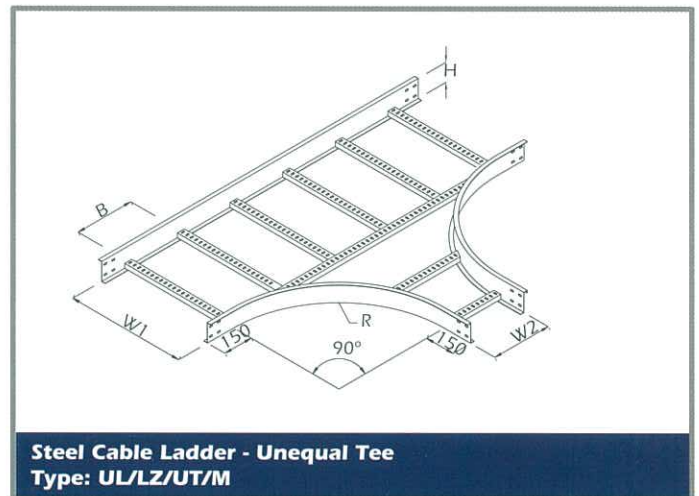
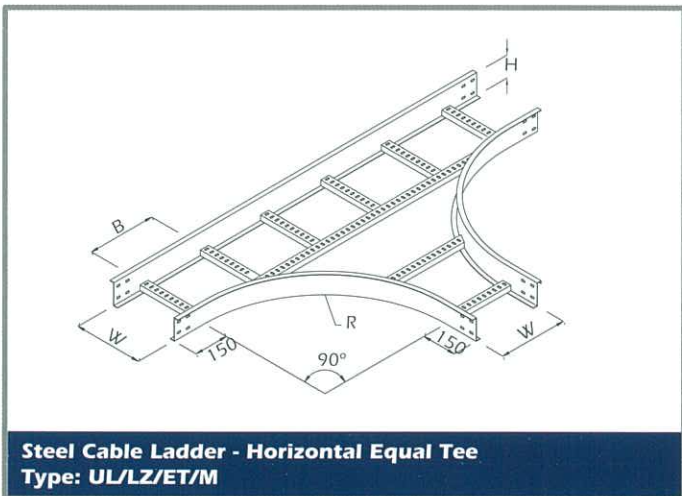
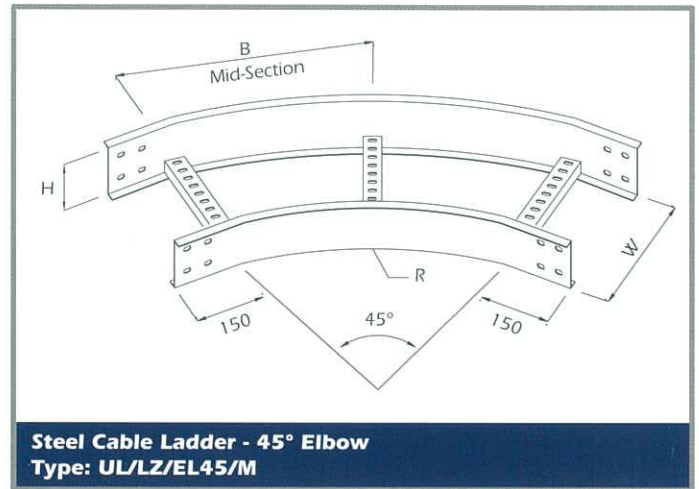
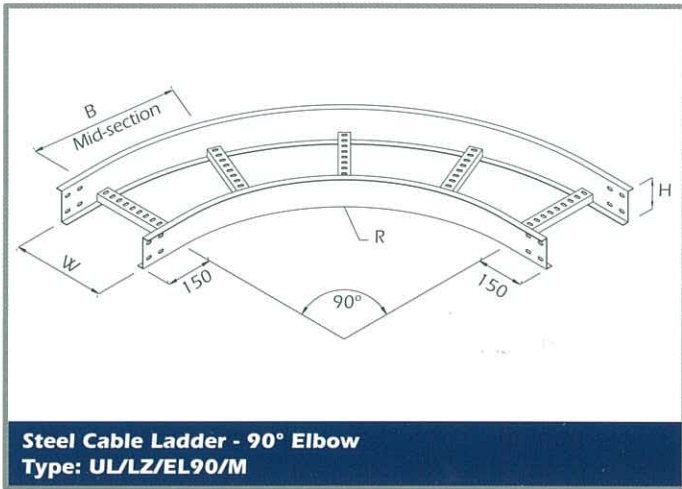
Abbreviation: B - Rung Spacing H - Height L - Length W - Width

When ordering please indicate Material and Finish.

We also supply other sizes with the same Side Rail, Rung Profile and various number of Connection Slots.

Steel Cable Ladder

Steel Cable Ladder- Accessories



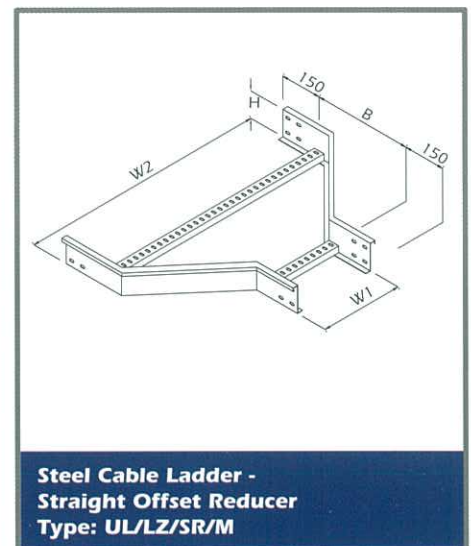
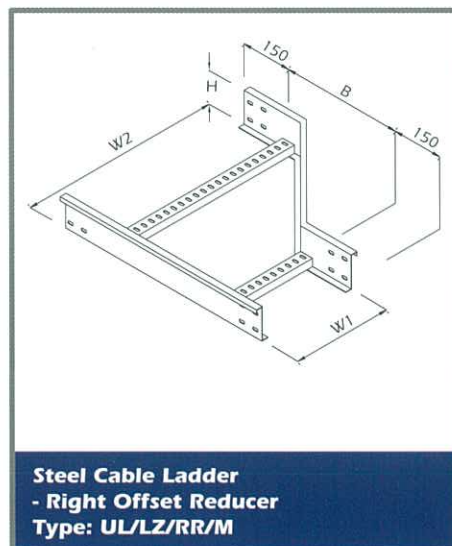
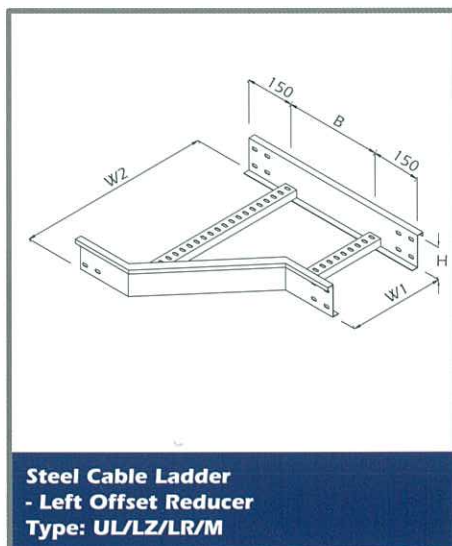
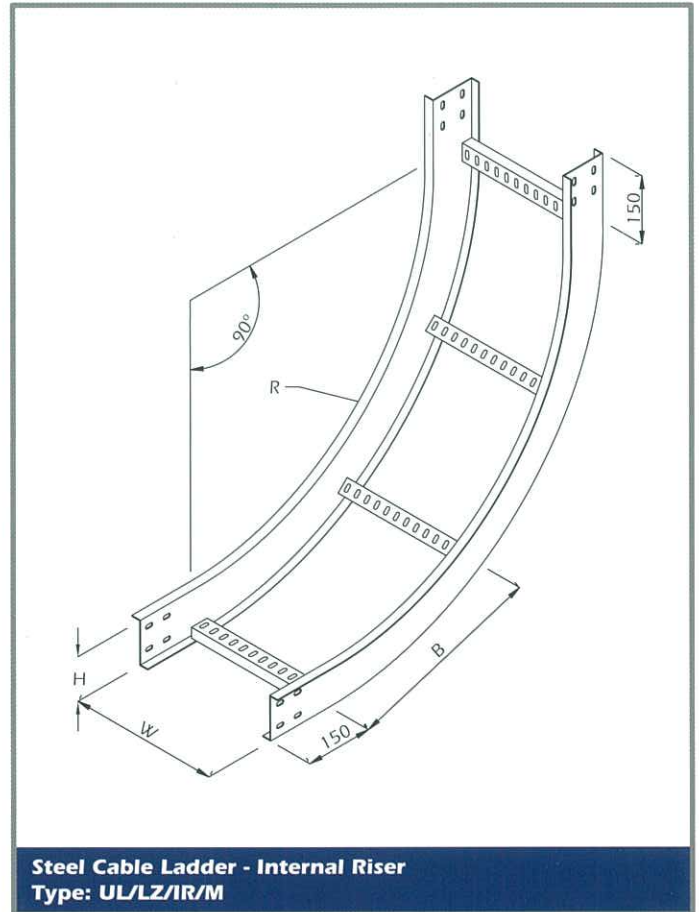
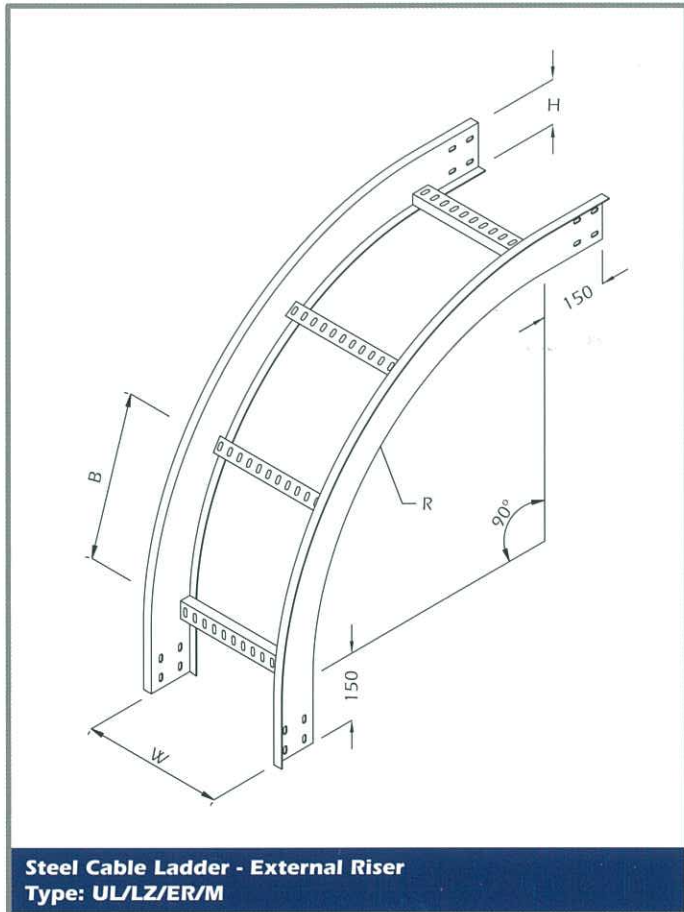
Ladder bending radius as 300mm to 900mm.
Standard Radius 450mm.

Dimension in Millimetre
Abbreviation: B - Rung Spacing H - Height R - Radius W - Width

When ordering Material and Finish as straight cable ladder please also indicate Radius, otherwise will fabricate according standard radius.

Steel Cable Ladder

Steel Cable Ladder- Accessories



Ladder bending radius as 300mm to 900mm.
Standard Radius 450mm.

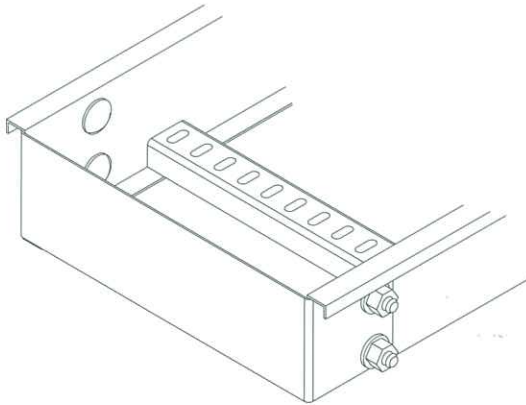
Dimension in Millimetre
Abbreviation: B - Rung Spacing H - Height R - Radius W - Width

When ordering Material and Finish as straight cable ladder please also indicate Radius, otherwise will fabricate according standard radius.

Steel Cable Ladder

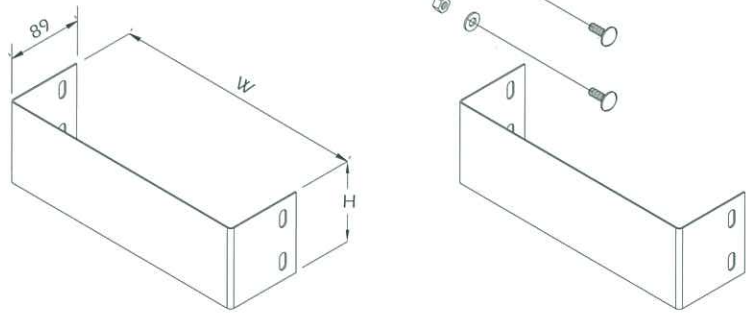
Steel Cable Ladder - End Plate

Type: UL/LZ/EP-6/M



Application

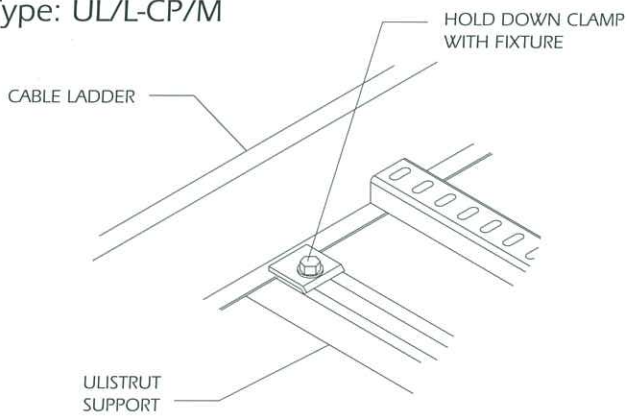
Cup Head Sq Neck Screw
M8 x 20 With Hex Nut and Flat Washer
Total: 4 Sets Per End Plate



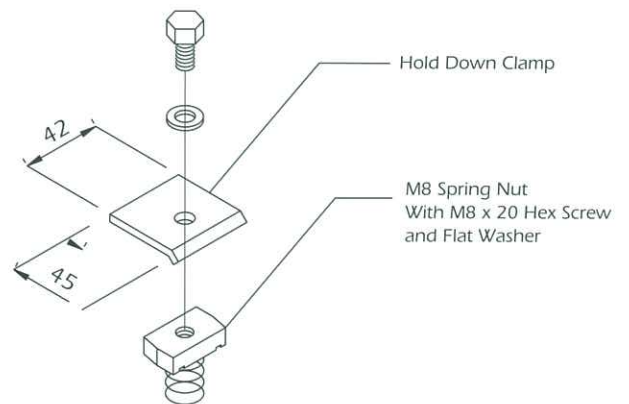
Splice Plate and Fixture

Steel Cable Ladder - Hold Down Clamp

Type: UL/L-CP/M



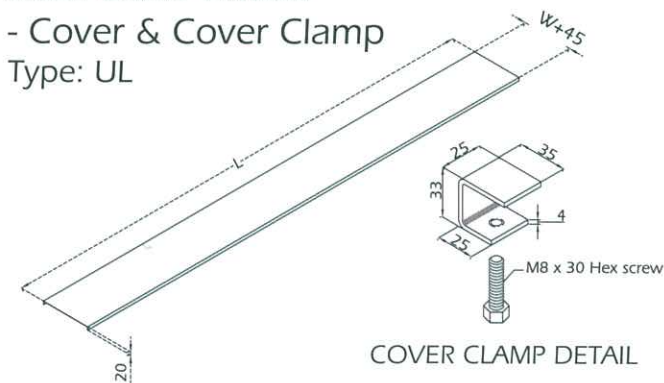
Application



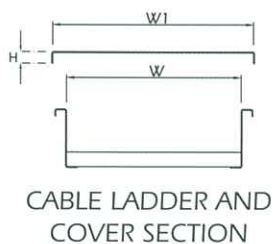
Clamp and Fixture

Steel Cable Ladder - Cover & Cover Clamp

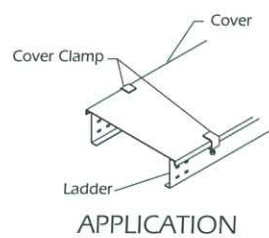
Type: UL



COVER CLAMP DETAIL



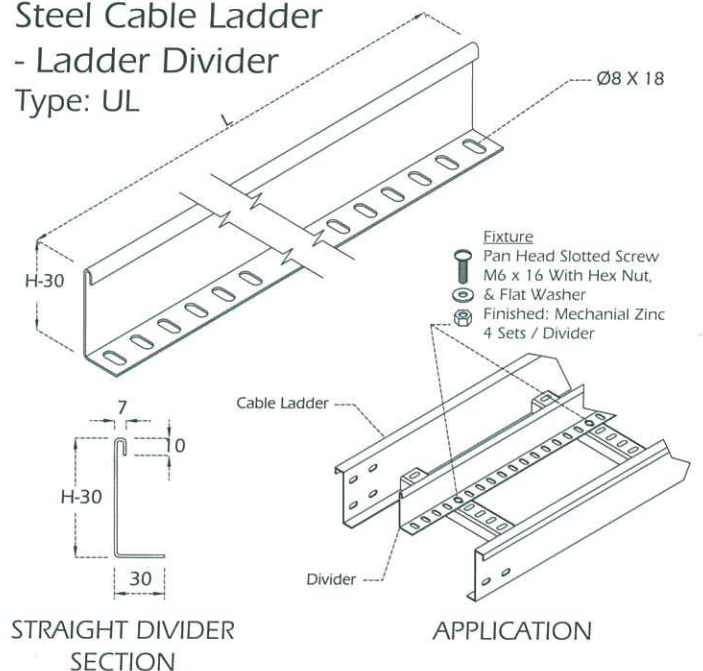
CABLE LADDER AND COVER SECTION



APPLICATION

Steel Cable Ladder - Ladder Divider

Type: UL

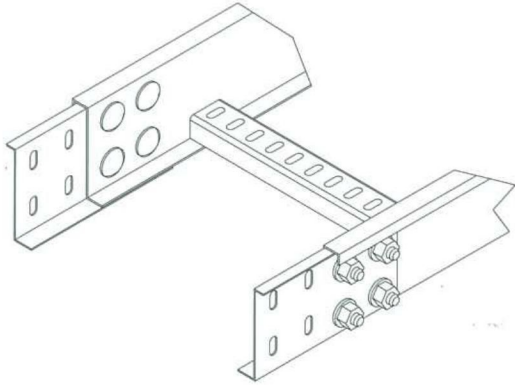


STRAIGHT DIVIDER SECTION

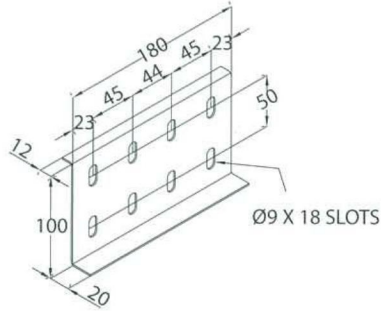
APPLICATION

Steel Cable Ladder

Steel Cable Ladder - Horizontal Splice Plate Type: UL/LZ/HS-6/M

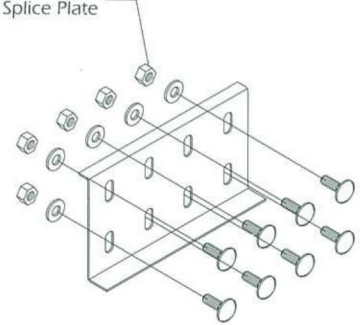


Application

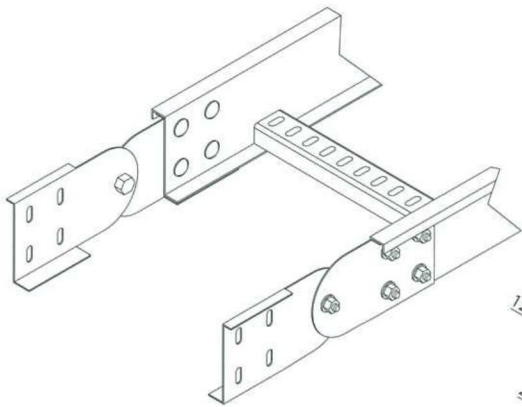


Horizontal Splice Plate and Fixture

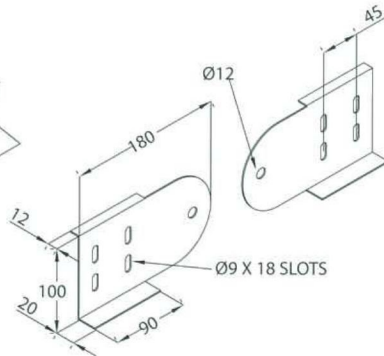
M8 x 20 Cap Head Sq Neck Bolt
With Hex Nut and Flat Washer
Finished: HDG
Total: 8 Sets Per Splice Plate



Steel Cable Ladder - Vertical Adjustable Splice Plate Type: UL/LZ/VAS-6/M



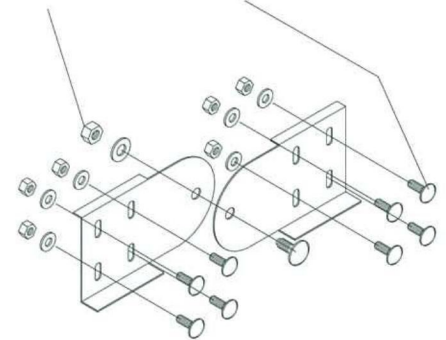
Application



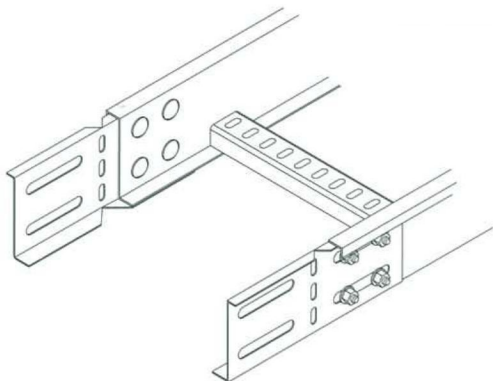
Splice Plate and Fixture

M10 x 20 Cap Head Sq Neck Bolt
With Hex Nut and Flat Washer
Finished: HDG
Total: 1 Sets Per Vertical Splice Plate

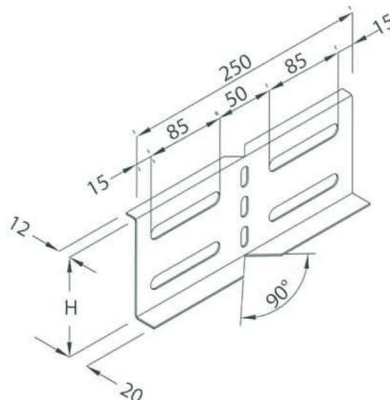
M8 x 20 Cap Head Sq Neck Bolt
With Hex Nut and Flat Washer
Finished: HDG
Total: 8 Sets Per Vertical Splice Plate



Steel Cable Ladder - Horizontal Adjustable Splice Plate Type: UL/LZ/HAS-6/M

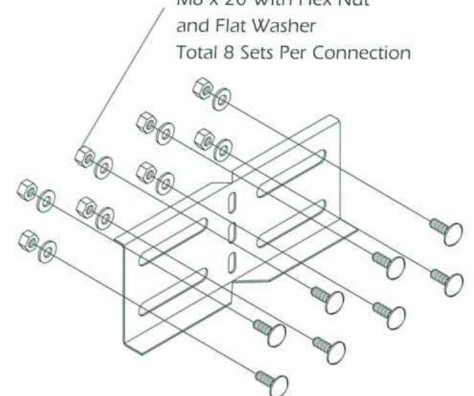


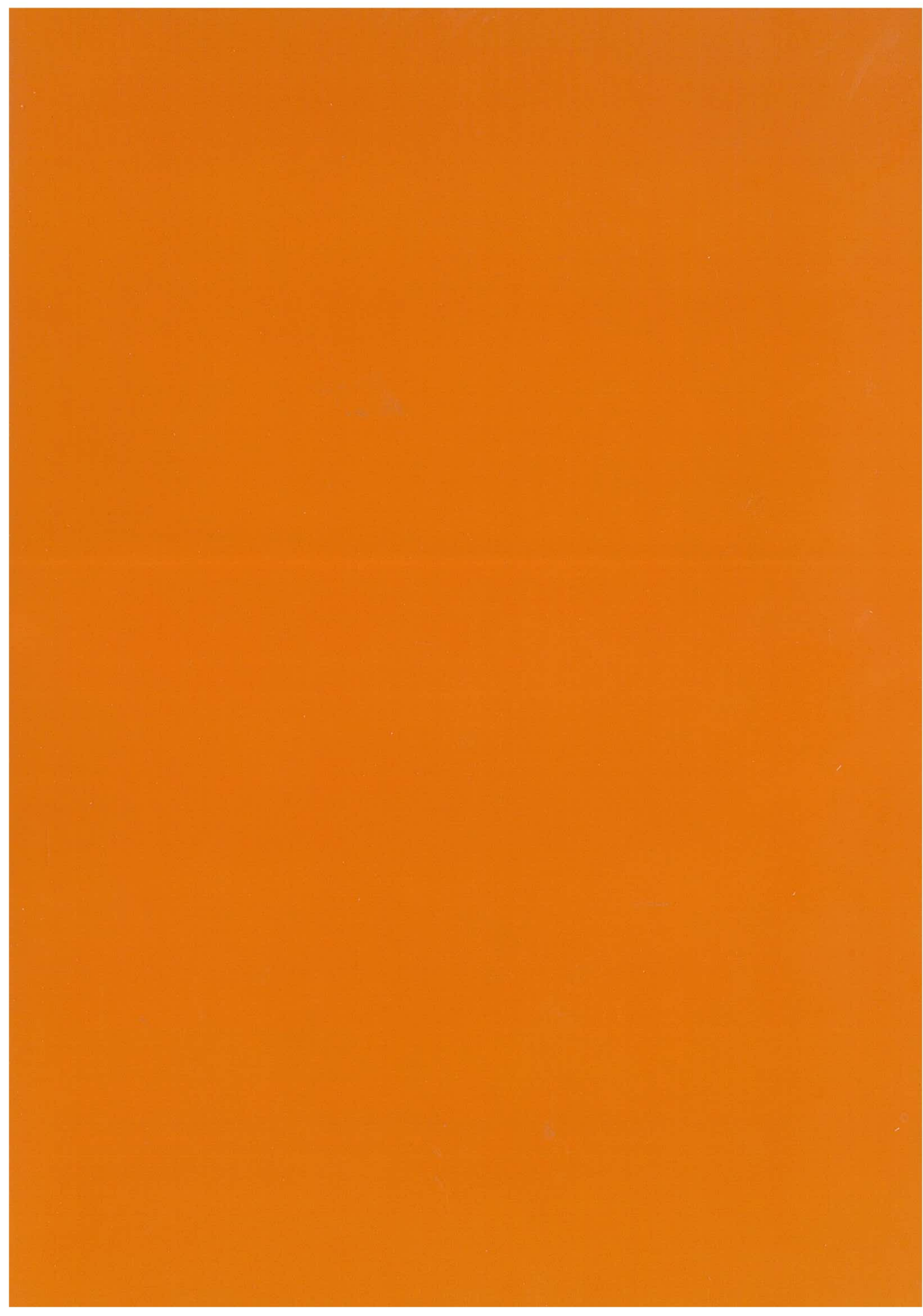
Application



Splice Plate and Fixture

Cup Head Sq Neck Screw
M8 x 20 With Hex Nut
and Flat Washer
Total 8 Sets Per Connection







United **U-LI** (M) Sdn Bhd

Lot 7, Jalan 6/1, Kawasan Perindustrian Seri Kembangan,
43300 Seri Kembangan, Selangor Darul Ehsan, Malaysia
Tel: 03-8943 6999 ■ Fax: 03-8948 3999
E-mail: salescss@uli.com.my ■ website: www.uli.com.my



Distributor:

U-LI UNITED **U-LI** PROJECTS PTE LTD.

1801, Geylang Bahru, #01-02 Kallang Distripark, Singapore 339709
Tel: +65 6392 4313 ■ Fax: +65 6392 4428
E-mail: sales@uli.com.sg ■ website: www.u-li.sg